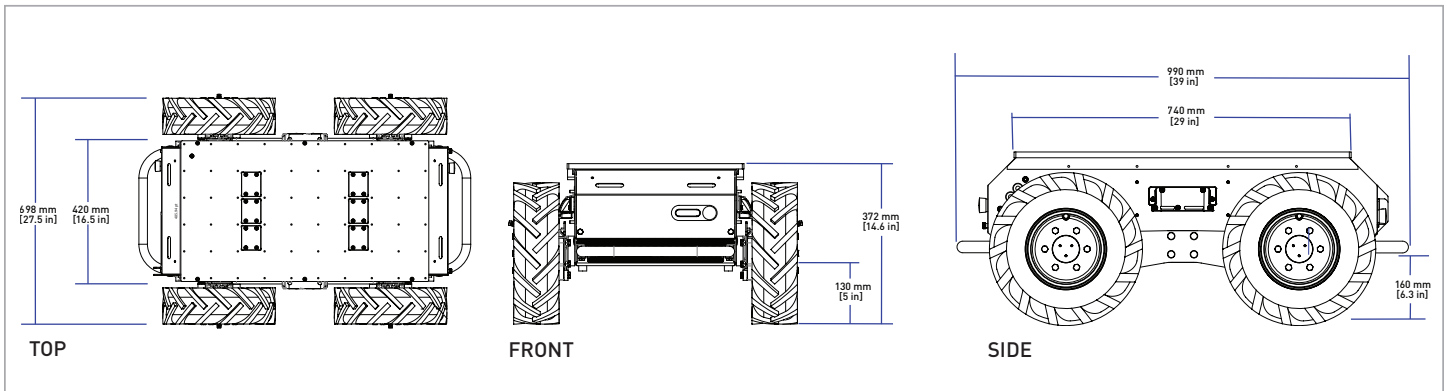


HUSKY A300™

UNMANNED GROUND VEHICLE



TECHNICAL SPECIFICATIONS

SIZE AND WEIGHT			
EXTERNAL DIMENSIONS (L x W x H)	990 x 698 x 372 mm (38.9 x 27.5 x 14.6 inch)		
WEIGHT	80 kg (176 lbs)		
GROUND CLEARANCE	130 mm (5 in)		
SPEED AND PERFORMANCE			
MAX. PAYLOAD	100 kg (220 lbs)		
ALL TERRAIN PAYLOAD ¹	50 kg (110 lbs)		
MAX. CLIMB GRADE	30°		
MAX. SPEED	2 m/s (4.4 mph) with 1080 W Continuous Drive Power		
DRIVE TRAIN	Four Brushless Motors, Skid Steer Drive		
BATTERY AND POWER SYSTEM			
	Standard	Upgraded	Extended
BATTERY	LiFePO ₄ , 40 Ah @ 25.6 V	LiFePO ₄ , 80 Ah @ 25.6 V	LiFePO ₄ , 120 Ah @ 25.6 V
CHARGE TIME	3-4 Hours	7-8 Hours	8-10 Hours
AVERAGE RUN TIME ²	4 Hours (15 Hour Standby)	8 Hours (30 Hour Standby)	12 Hours (45 Hour Standby)
USER POWER ³	12 V @ 10 A, 24 V @ 5 A, VBAT @ 5 A and VBAT @ 40 A (Optional Upgrade)		
INTERFACING AND COMMUNICATION			
COMPUTER OPTIONS	Standard: i3-13100TE Processor Performance: i7-13700TE Processor (GPU Optional)		
FEEDBACK	Battery, Connectivity, Emergency Stop Status, Diagnostics, Encoders		
COMMUNICATION	Ethernet, USB, Remote Control, Wi-Fi		
ROS CAPABILITY	ROS 2 Jazzy		
INCLUDED ACCESSORIES	PS4 Controller, Battery Charger		
ENVIRONMENTAL			
OPERATING AMBIENT TEMPERATURE	-20 °C to +40 °C (-4 °F to 104 °F)		
STORAGE TEMPERATURE	-20 °C to +60 °C (5 °F to 140 °F)		
IP RATING	IP54		
SAFETY AND COMPLIANCE			
STANDARDS COMPLIANCE	FCC Part 15 Subpart B / ICES-003 FCC Part 18 / ICES-002 ISO 12100 Risk Assessment		

Contact us today for pricing and a free 30 minute technical assessment: 1-800-301-3863

© 2024 Clearpath Robotics, Inc. All Rights Reserved. Clearpath Robotics, Husky A300, and clearpathrobotics.com are trademarks of Clearpath Robotics by Rockwell Automation.

All other product and company names listed are trademarks or trade names of their respective companies.

¹Robot climbing 30° grade with high-mounted payload or turning in place in high friction conditions.

²33% driving at 2 m/s with 50 kg payload on level ground and 67% idle.

³Optional expansions available.