






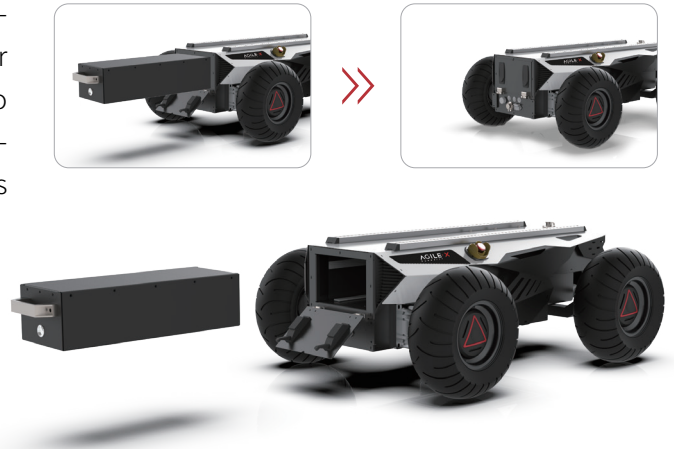
## HUNTER 2.0

- | Ackerman Steering
- | Removable Battery
- | 150KG Heavy Load
- | Slope Parking
- | Secondary Development

## » Customized Chassis Solution




The HUNTER 2.0 battery pack is lithium iron phosphate-based, offering flexible configuration to meet your task-based capacity needs. Customized speed planning up to 10km/h is available to meet the needs in various autonomous driving scenarios and support a wide set of use cases for industrial-grade robotics.

-  Portable battery packs are provided with two capacity options for easy switch.
-  BMS Battery management system (BMS) ensures safety during operation.
-  Speed planning up to 10km/h is supported.



## » Brand-new Power System

HUNTER 2.0 continues the simple and elegant look of the HUNTER series with all-steel body, 400w dual servo motor drive, independent front wheel steering and robust, precisely controlled power system to support smooth running, whether indoors or outdoors.

-  Advantageous car-like structure and low tire wear are suitable for high-endurance scenarios.
-  Independent front-wheel steering and rocker suspension make it possible to pass over speed bumps with ease.
-  400w dual servo motor with payload up to 150KG.



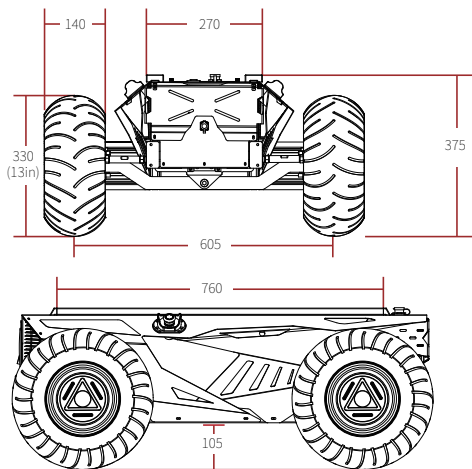
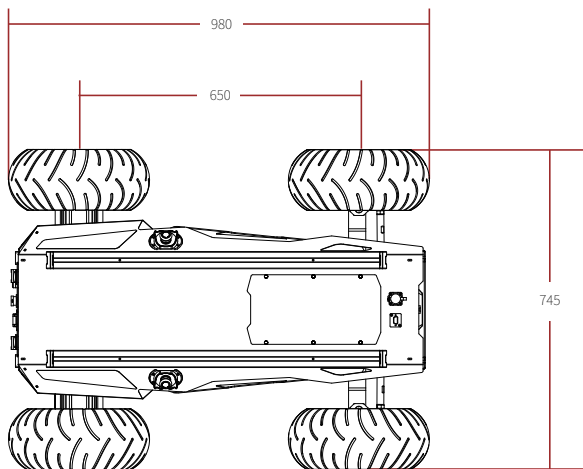
## » Safe and Reliable Power-off Parking

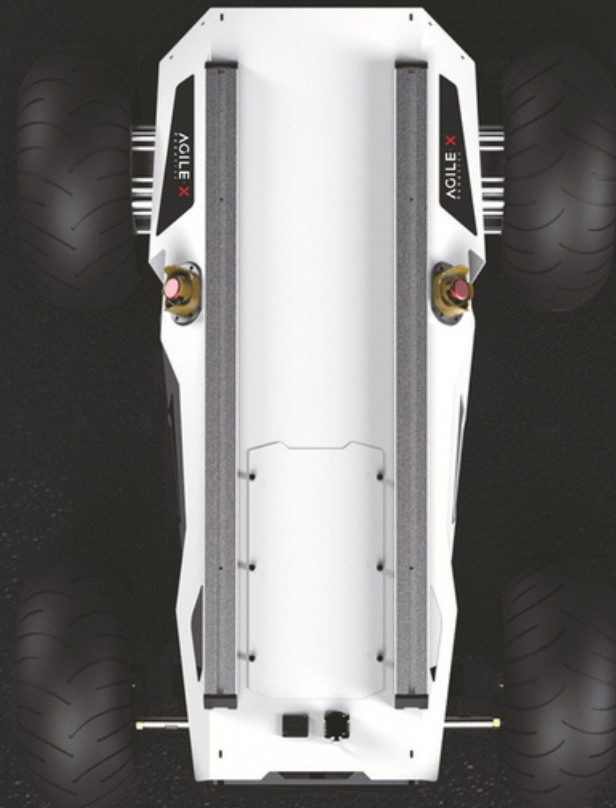
HUNTER 2.0's slope parking feature allows a reliable standstill on a slope, thanks to the well-designed drive train. In the event of power outage or failure of the vehicle while traversing sloped terrains, wheels will be locked in place without slipping off to ensure stable and reliable safety performance.



## » SPECIFICATIONS

Model	HUNTER 2.0	Suspension Form	Front Wheel Independent Suspension
Dimensions	980 x 745x 380mm	Drive Form	Front-wheel Ackerman Steering Rear-Wheel Drive
	W x H x D		
Wheelbase	650mm	Working Temperature	-20~65°C
Track	605mm	Battery	24V30Ah (Standard) 24V60Ah (Optional)
Speed and Payload	6km/h, 150Payload (Standard) 10km/h, 80KG Payload (Optional) Customizable	MAX Travel (without loading)	22Km (24V30Ah Battery ) 40Km (24V60Ah Battery )
Weight	65~72KG	Charger	AC 220V Charger Output 240W
Minimum Turning	1.6m	Charger Time	3.5h (24V30Ah Battery ) 7h (24V60Ah Battery )
Climbing Ability	<10° With Loading	Outward Supply	24V15A Maximum total output current
Obstacle Surmounting Capacity	5cm Single-stage Right-angle Step	Code Disc Parameters	1024 Lines Electromagnetic incremental code disc
Minimum Ground Clearance	100mm	Motor	Drive 2x400W steering 400W Servo Motor
Minimum Braking Distance	0.2m 6km/h -> 0km/h (It depends on the ground conditions)	Communication Interface	Standard CAN 232 Serial Port
Steering Accuracy	0.5°	Protection Level	IP22(Customizable IP54)
Parking Function	Electromagnetic power-off parking, maximum 10° ramp parking(For parking only)		





# Génération ROBOTS

**Official distributor**

[service@generationsorobots.com](mailto:service@generationsorobots.com)

+49 30 30 01 14 533

[www.generationrobots.com](http://www.generationrobots.com)

