



HUNTER 2.0

- | Ackerman Steering
- | Removable Battery
- | 150KG Heavy Load
- | Slope Parking
- | Secondary Development

» Customized Chassis Solution

The HUNTER 2.0 battery pack is lithium iron phosphate-based, offering flexible configuration to meet your task-based capacity needs. Customized speed planning up to 10km/h is available to meet the needs in various autonomous driving scenarios and support a wide set of use cases for industrial-grade robotics.



Portable battery packs are provided with two capacity options for easy switch.

Battery management system (BMS) ensures safety during operation.

Speed planning up to 10km/h is supported.

» Brand-new Power System

HUNTER 2.0 continues the simple and elegant look of the HUNTER series with all-steel body, 400w dual servo motor drive, independent front wheel steering and robust, precisely controlled power system to support smooth running, whether indoors or outdoors.

Advantageous car-like structure and low tire wear are suitable for high-endurance scenarios.

Independent front-wheel steering and rocker suspension make it possible to pass over speed bumps with ease.

400w dual servo motor with payload up to 150KG.



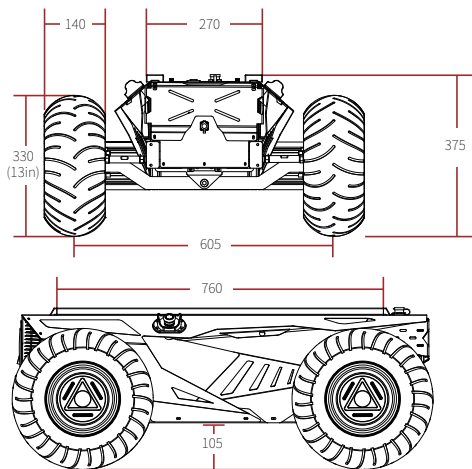
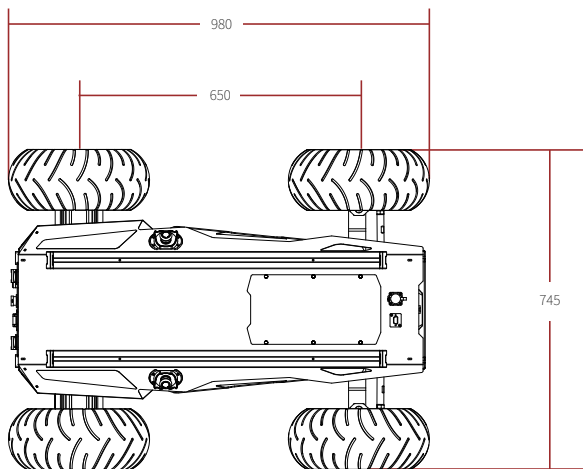
» Safe and Reliable Power-off Parking

HUNTER 2.0's slope parking feature allows a reliable standstill on a slope, thanks to the well-designed drive train. In the event of power outage or failure of the vehicle while traversing sloped terrains, wheels will be locked in place without slipping off to ensure stable and reliable safety performance.



» SPECIFICATIONS

Model	HUNTER 2.0	Suspension Form	Front Wheel Independent Suspension
Dimensions	980 x 745x 380mm	Drive Form	Front-wheel Ackerman Steering Rear-Wheel Drive
	W x H x D	Working Temperature	-20~65°C
Wheelbase	650mm	Battery	24V30Ah (Standard) 24V60Ah (Optional)
Track	605mm	MAX Travel (without loading)	22Km (24V30Ah Battery) 40Km (24V60Ah Battery)
Speed and Payload	6km/h, 150Payload (Standard) 10km/h, 80KG Payload (Optional) Customizable	Charger	AC 220V Charger Output 240W
Weight	65~72KG	Charger Time	3.5h (24V30Ah Battery) 7h (24V60Ah Battery)
Minimum Turning	1.6m	Outward Supply	24V15A Maximum total output current
Climbing Ability	<10° With Loading	Code Disc Parameters	1024 Lines Electromagnetic incremental code disc
Obstacle Surmounting Capacity	5cm Single-stage Right-angle Step	Motor	Drive 2x400W steering 400W Servo Motor
Minimum Ground Clearance	100mm	Communication Interface	Standard CAN 232 Serial Port
Minimum Braking Distance	0.2m 6km/h -> 0km/h (It depends on the ground conditions)	Protection Level	IP22(Customizable IP54)
Steering Accuracy	0.5°	Parking Function	Electromagnetic power-off parking, maximum 10° ramp parking(For parking only)





Génération ROBOTS

Distributeur officiel

sales@generationrobots.com

+33 5 56 39 37 05

www.generationrobots.com

