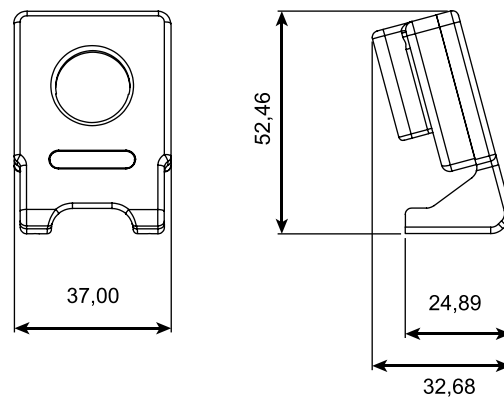


Vision Set Technical specifications

Camera

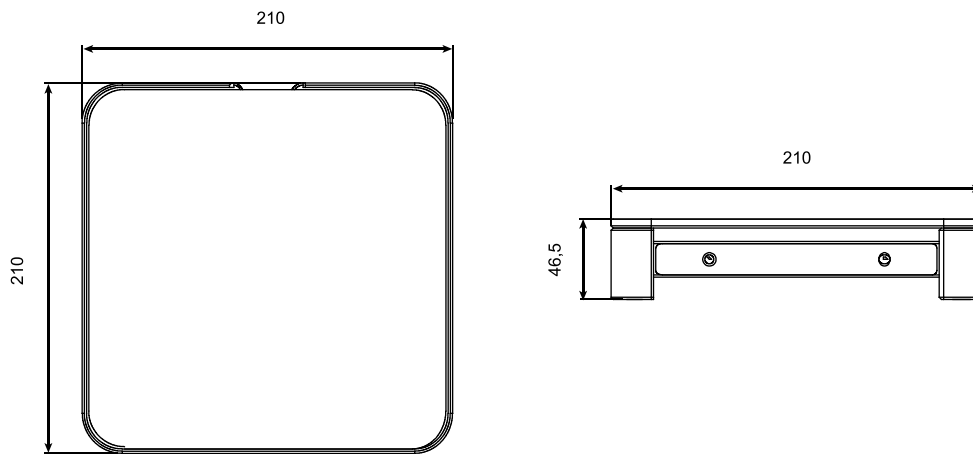
Weight:	59g / 2.08oz
Sensor :	IMX322
Sensor size :	1/2.9 inch
Resolution & Frame Rate Available :	Compressed and Raw : 320×240@30fps / 352×288@30fps / 640×360@30fps / 640×480@30 fps Raw only: 800×600@15 fps Compressed only : 800×600@30fps / 1280×720@30fps / 1920×1080@30fps
Adjustable parameters:	Brightness / Contrast / Saturation, Hue, Sharpness, Gamma, Exposure White balance, Backlight Contrast
Max resolution :	1920*1080
Picture format :	H.264 MJPEG or YUY2(YUYV)
Lens size :	2.1 mm
Pixel size :	2.8 μm
Shutter Type :	Electronic rolling shutter / Frame exposure
Mini illumination :	0.01 lux
USB protocol :	USB2.0 HS/FS
OTG protocol :	USB2.0 OTG
Power supply:	DC 5V / 140mA ~ 190mA
Temperature :	The camera can work in a temperature range of -20 ~ 70°C
Cable :	USB 2.0 cable - 1m
Mounting compatibility :	Ned 2
Mounting screw :	2 screw CHC M2.5x6



Vision Set Technical specifications

Vision plate

Weight:	1,8Kg / 3.96lbs
Footprint :	210 x 210 mm / 8,26 x 8,26 In
SnapLink :	Supported on 4 sides
Workspace interface :	Magnetic



Workspace

Size :	205 x 205 mm / 8,07 x 8,07 In
Mounting interface :	Magnetic

