

RB-THERON

AUTONOMOUS MOBILE ROBOT (AMR)

DESIGNED FOR
INDOOR APPLICATIONS

THE ROBOT CAN **CARRY 200 KG** &
INTEGRATE DIFFERENT SENSORS



LOGISTICS



INDUSTRIAL TASKS



RESEARCH & DEVELOPMENT



RB-THERON

200 KG OF PAYLOAD AND 8H OF AUTONOMY

RB-THERON mobile robot is designed for autonomous transport in indoor environments. With a payload capacity of 200 Kg, **RB-THERON** has an improved traction system, lasers and a safety PLC that allow it to work safely in industrial environments where people are around.

COMPONENTS INCLUDED

- CPU Intel i7
- Safety Pack
 - » 2x 2D safety scanner
 - » Safety PLC
- RGBD camera
- 4G Router
- IMU
- Battery 48VDC@21Ah
- Charging station

OPTIONAL COMPONENTS

- 5G Router
- AI + Vision Package
- 3D Localization and Navigation Package
- Lifting unit

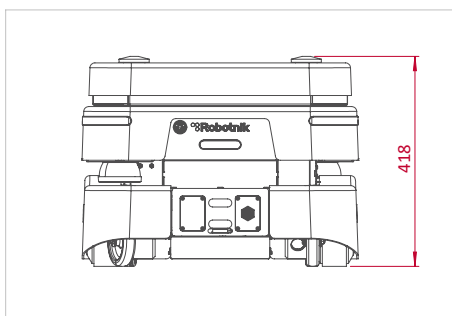
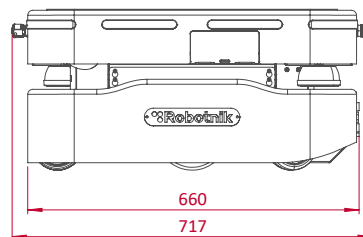
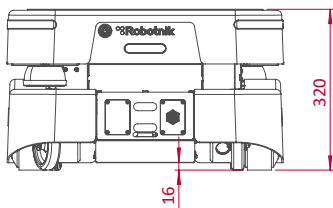
MECHANICAL

| | |
|---------------------------|-----------------------------|
| Dimensions | 717 x 550 x 320 mm |
| Dimensions (Lifting unit) | 717 x 550 x 418 mm |
| Weight | 70 Kg |
| Payload | 200 Kg |
| Speed | 1,25 m/s |
| Environment | Indoor |
| Enclosure class | IP30 |
| Autonomy | Up to 8 h |
| Traction motors | 2 x 250 W with brake |
| Traction systems | Differential drive |
| Localization system | SLAM |
| Temperature range | 0°C to + 40°C |
| Max. slope | 6 % |

CONTROL

| | |
|---------------|---------------------------------------------------------------|
| Controller | ROS Architecture |
| Communication | WiFi 802.11 b/g/n/ac Bluetooth 4.0 |
| Connectivity | USB x2 Ethernet x3 HDMI x1 DC Power Output |

BLUEPRINTS



LIFTING UNIT

