

MOBILE MANIPULATOR ROBOT (MMR)

RB-KAIROS

COMPLETELY INTEGRATED
**COLLABORATIVE MOBILE
MANIPULATOR** (CMM)

READY FOR **INDUSTRIAL TASKS**

 INDUSTRIAL APPLICATIONS

 PICK & PLACE

 METROLOGY

 PART FEEDING

 R&D



RB-KAIROS

COLLABORATIVE MOBILE MANIPULATOR FOR INDUSTRIAL APPLICATIONS

RB-KAIROS+ is an Autonomous Mobile Manipulator extremely useful for industrial applications such as pick and place, part feeding, metrology, quality control, operations on large parts or packaging, cleaning, polishing, screwing, drilling, etc.

INCLUDED COMPONENTS

- Mecanum standard wheels
 - » Payload: **100 kg**
- CPU Intel i7
- Safety Pack
 - » 2x 2D safety scanner
 - » Safety PLC
- RGBD camera
- 5G Router
- IMU
- Robotic arm: **UR5e**
 - » Payload: **5 kg**
 - » Reach: **850 mm**
- Battery UN38.3 - 48VDC@58Ah
- Charging station

OPTIONAL COMPONENTS

- Mecanum high payload wheels
 - » Payload: **250 kg**
- AI+Vision Package
- 3D Localization and Navigation Package
- OnRobot VGC10
- OnRobot RG2
- OnRobot RG6
- OnRobot RG2FT
- OnRobot 2FG7
- Robotiq 2F-85
- Robotiq 2F-140
- OnRobot Eyes Camera

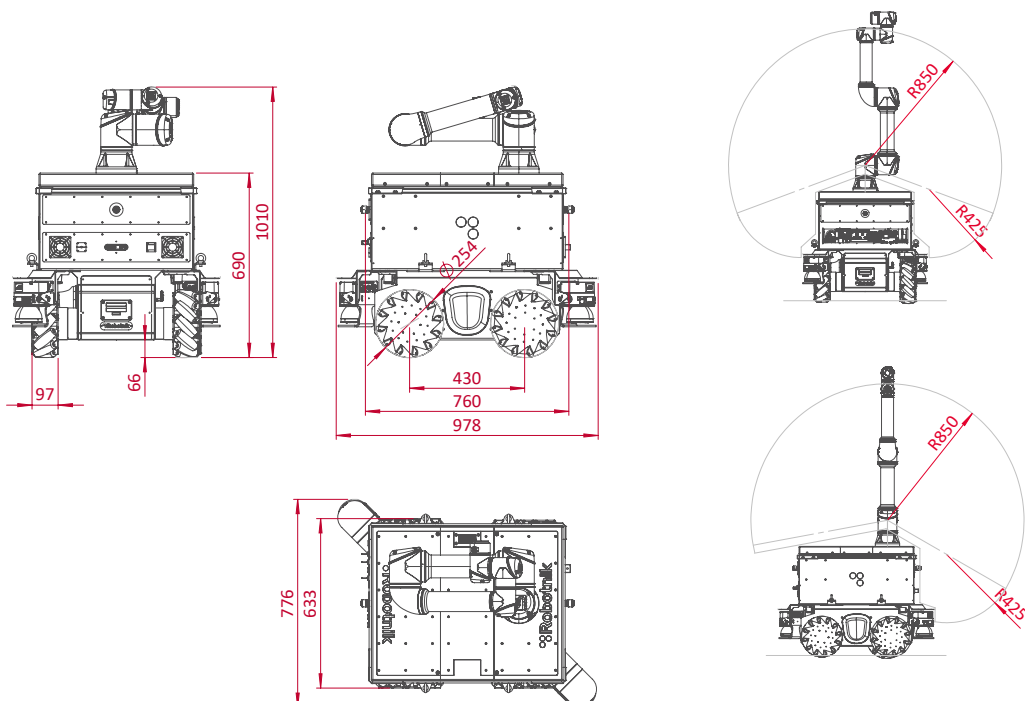
MECHANICAL

Dimensions	978 x 776 x 1.010 mm
Weight	Platform: 115 kg Arm: 25 kg
Payload	Platform: Up to 225 kg Arm: Up to 5 kg
Speed	1,5 m / s
Environment	Indoor
Enclosure class	IP52
Autonomy	Up to 6 h
Traction motors	4 x 500 W with brake
Kinematics	Omnidirectional
Localization system	SLAM
Temperature range	0° to + 50°C
Max. slope	15 %

CONTROL

Controller	ROS 2 Architecture
Communication	WiFi 802.11 b/g/n/ac Bluetooth 4.0
Connectivity	USB x3 Ethernet x2 HDMI x1 Power Outputs: <ul style="list-style-type: none">» 12V» 24V» VBATT

BLUEPRINTS



Generation ROBOTS

Brand of **NGX** ROBOTICS



+33 (0)5 56 39 37 05



contact@generationrobots.com



1 rue Pierre-Georges Latécoère 33700 Mérignac, France

www.generationrobots.com

