



UFACTORY XARM

DEVELOPER MANUAL



SHENZHEN UFACTORY CO., LTD

V 1.10.0

Contents

1. Introduction.....	2
1.1. Notice.....	3
1.2. Main Contents of the Manual.....	3
1.3. xArm Motion Parameters.....	4
1.4. Unit Definition.....	4
1.5. Terms and Definitions.....	4
1.6. Further Developer Resources.....	9
1.7. More Information.....	9
2. xArm Communication Protocol.....	10
2.1. Control Box Communication Protocol.....	10
2.1.1. Unit Definition.....	10
2.1.2. Modbus-TCP Communication Format.....	10
2.1.3. Register (Robotic Arm Control).....	13
2.1.4. Register (Peripherals Control through Robot IOs) ...	66
2.1.5. Modbus TCP Example.....	101
2.1.6. Automatic Reporting Format.....	104
3. Error Reporting and Handling.....	109
3.1. Joints Error Message and Error Handling.....	109
3.2. Control Box Error Code and Error Handling.....	111
3.2.1. Control Box Error Code.....	111
3.2.2. Control Box Error Code.....	114
3.3. Gripper Error Code & Error Handling.....	115
4. Technical Specifications.....	117
4.1. xArm5/6/7 Common Specifications.....	117
4.2. xArm 5 Specifications.....	119
4.3. xArm 6 Specifications.....	120
4.4. xArm 7 Specifications.....	121

1. Introduction

1.1. Notice

(1) This manual is dedicated for developers who develop the applications base on the xArm Modbus-TCP communication protocol. For xArm Studio application development, please refer to "xArm User Manual". For Python (C++ or ROS) application development, please refer to "1.6 Further Developer Resources".

(2) Considering the potential risks of using xArm Modbus-TCP communication protocol for application development, operators need to read and understand all the contents of "xArm User Manual", familiar with xArm risk assessment and robot motion planning, and proficient in robot parameter setting and program creating in "xArm Studio" before Modbus-TCP end developing.

Before meeting the above conditions, we strongly recommend operators should refer to 'xArm User Manual' and program xArm robot by xArm Studio. Until then, operators could start xArm Modbus-TCP application development based on the communication protocol xArm provided.

It will reduce the potential risks as well as increase the efficiency of your application development based on xArm Modbus-TCP.

1.2. Main Contents of the Manual

- (1) [xArm motion characteristics](#)
- (2) [xArm Communication Protocol](#)
- (3) [xArm error reporting and handling](#)
- (4) [xArm technical specifications](#)

1.3. xArm Motion Parameters

The parameters of the robotic arm are shown in Table 1.1 and Table 1.2.

Table 1.1 working range of each joint of the robotic arm

	Robotic Arm	xArm 5	xArm 6	xArm 7
Maximum Speed		180° /s	180° /s	180° /s
Working Range	1st Axis	±360°	±360°	±360°
	2st Axis	-118° ~120°	-118° ~120°	-118° ~120°
	3st Axis	-225° ~11°	-225° ~11°	±360°
	4st Axis	-97° ~180°	±360°	-11° ~225°
	5st Axis	±360°	-97° ~180°	±360°
	6st Axis	None	±360°	-97° ~180°
	7st Axis	None	None	±360°

Table 1.2 range of various motion parameters of the robotic arm

	TCP Motion	Joint Motion
Speed	0~1000mm/s	0~180° /s
Acceleration	0~50000mm/s ²	0~1145° /s ²
Jerk	0~10000mm/s ³	0~28647° /s ³

Note:

1. In the TCP motion (Cartesian space motion) commands (set_position () function of the SDK), If a motion command involves both position transformation and attitude transformation, the attitude rotation speed is generally calculated automatically by the system. In this situation, the specified speed parameter is the maximum linear speed, range from: 0 ~ 1000mm / s.
2. When the expected TCP motion only changes the attitude (roll, pitch, yaw), with position (x, y, z) remains unchanged, the specified speed is the attitude rotation speed, so the range 0 to 1000 corresponds to 0 to 180 ° / s.

1.4. Unit Definition

The Python / Blockly examples and the units standard in the communication protocol are shown in Table 1.3.

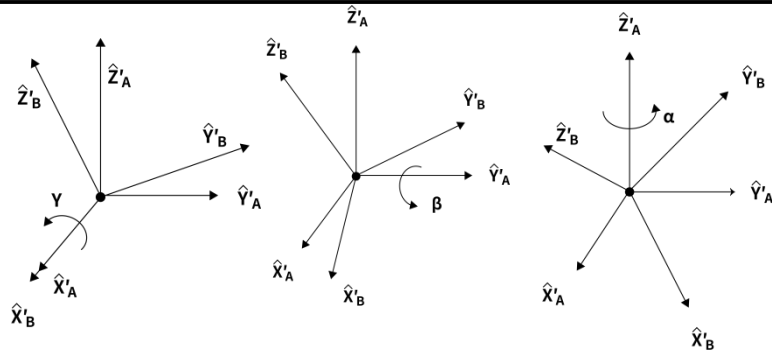
Table 1.3. Default units in Python / Blockly example and Communication Protocol

Parameter	Python-SDK	Blockly	Communication
X (Y/Z)	millimeter (mm)	millimeter (mm)	millimeter (mm)
Roll (Pitch/Yaw)	degree (°)	degree (°)	radian (rad)
J_1 (J_2 / J_3 / J_4 / J_5 / J_6 / J_7)	degree (°)	degree (°)	radian (rad)
TCP Speed	mm/s	mm/s	mm/s
TCP Acceleration	mm/s ²	mm/s ²	mm/s ²
TCP Jerk	mm/s ³	mm/s ³	mm/s ³
Joint Speed	° /s	° /s	rad/s
Joint Acceleration	° /s ²	° /s ²	rad/s ²
Joint Jerk	° /s ³	° /s ³	rad/s ³

1.5. Terms and Definitions

Control Box	The control box, core part of the robotic arm, is the integration of the robotic arm control system.
End Effector	The end effector, installed on the front end of the wrist of the robotic arm, is used to install special tools (such as grippers, vacuum gripper, etc.), which can directly perform work tasks.
Enable Robotic Arm	Power on the robotic arm and turn on the motor of the robotic arm. After the robotic arm is enabled, it can start to move normally.
TCP	Tool center point.
TCP Motion	TCP motion is the Cartesian space motion, with target position in Cartesian space coordinate and the end follows the specified trajectory(arc, line, etc.).
TCP Payload (End Payload)	The payload weight refers to the actual (end tool +other object) weight in Kg; the X / Y / Z-axis indicates the position of the center of mass of the TCP relative to the default tool coordinate system, with unit of mm.
TCP Offset (Tool Center Point Offset)	Set the relative offset between the default tool coordinate system at flange center and the actual tool coordinate system, with distance unit of mm.

Roll/Pitch/Yaw



Roll / Pitch / Yaw sequentially rotates around the X / Y / Z of the selected coordinate system (base coordinate system).

The following describes the roll/pitch/yaw orientation representation of {B} relative to {A}:

For example, the coordinate system {B} and a known reference coordinate system {A} are first superposed. First rotate {B} around \hat{X}'_A by γ , then around \hat{Y}'_A by β , and finally around \hat{Z}'_A by α .

Each rotation is around a fixed axis of the reference coordinate system {A}. This method is called the XYZ fixed angle coordinate system, and sometimes they are defined as the roll angle, pitch angle, and yaw angle.

The above description is shown in the following figure:

The equivalent rotation matrix is:

$${}^A_B R_{XYZ}(\gamma, \beta, \alpha) = R_Z(\alpha)R_Y(\beta)R_X(\gamma)$$

Note: γ corresponds to roll; β corresponds to pitch; α corresponds to yaw.

<p>Axis-Angle</p>	<p>Rx / Ry / Rz representation also, using 3 values to represent the pose (but not three rotation angles), which is the product of a three-dimensional rotation vector $[x, y, z]$ and a rotation angle $[\phi]$ (scalar)].</p> <p>The characteristics of the axis angle: Assume the rotation axis is $[x, y, z]$, and the rotation angle is ϕ.</p> <p>Then the representation of the axial angle: $[R_x, R_y, R_z] = [x * \phi, y * \phi, z * \phi]$</p> <p>Note:</p> <ol style="list-style-type: none"> 1. $[x, y, z]$ is a unit vector, and ϕ is a non-negative value. 2. The vector length (modulus) of $[R_x, R_y, R_z]$ can be used to estimate the rotation angle, and the vector direction is the rotation direction. 3. If you want to express reverse rotation, invert the rotation axis vector $[x, y, z]$, and the value of ϕ remains unchanged. 4. Using ϕ and $[x, y, z]$ can also derive the attitude representation as unit quaternion $q = [\cos(\phi / 2), \sin(\phi / 2) * x, \sin(\phi / 2) * y, \sin(\phi / 2) * z]$. <p>For example: The vector of the rotation axis represented by the base coordinate system is $[1, 0, 0]$, and the rotation angle is 180 degrees (π), then the axis angle representation of this pose is $[\pi, 0, 0]$. The rotation axis is $[0.707, 0.707, 0]$ and the rotation angle is 90 degrees ($\pi / 2$), then the axis angle posture is $[0.707 * (\pi / 2), 0.707 * (\pi / 2), 0]$.</p>
<p>The Base Coordinate System (please refer to the figure 1)</p>	<p>The base coordinate system is a Cartesian coordinate system based on the mounting base of the robotic arm and used to describe the motion of the robotic arm. (front and back: X axis, left and right: Y axis, up and down: Z axis)</p>
<p>Tool Coordinate System (please refer to the figure 1)</p>	<p>Consists of tool center point and coordinate orientation. If the TCP offset is not set, the default tool coordinate system is located at flange center.</p> <p>For tool coordinate system based motion: The tool center point is taken as the zero point, and the trajectory of the robotic arm refers to the tool coordinate system.</p>
<p>User Coordinate System</p>	<p>The user coordinate system can be defined as any other reference</p>

(please refer to the figure 1)	coordinate system rather than the robot base.
Manual Mode	In this mode, the robotic arm will enter the ‘zero gravity’ mode, since the gravity is compensated, the user can guide the robotic arm position directly by hand.
Teach Sensitivity	Teach sensitivity range is from 1 to 5 level. The larger the set value, the higher the teach sensitivity level, and the less the force required to drag the joint in the manual mode.
Collision Sensitivity	The collision sensitivity range is from 0 to 5 level. When it is set to 0, it means that collision detection is not enabled. The larger the set value, the higher the collision sensitivity level, and the smaller the force required to trigger the collision protection response of the robotic arm.
GPIO	General-purpose input and output. For the input, you can check the potential of the pin by reading a register; For the output, you can write a certain register to make this pin output high or low potential;
Safety Boundary	When this mode is activated, the boundary range of the cartesian space of the robotic arm can be limited. If the tool center point (TCP) exceeds the set safety boundary, the robotic arm will stop moving.
Reduced Mode	When this mode is activated, the maximum linear velocity of the Cartesian motion of the robotic arm, the maximum joint speed, and the range of the joint motion will be limited.

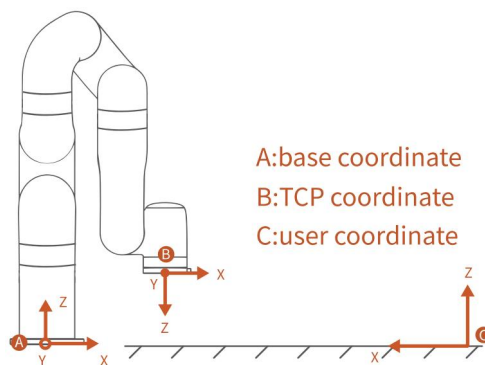


Figure 1

1.6. Further Developer Resources

ROS Library & Github: https://github.com/xArm-Developer/xarm_ros

xArm Python SDK Library:

<https://github.com/xArm-Developer/xArm-Python-SDK>

xArm CPLUS SDK Library:

<https://github.com/xArm-Developer/xArm-CPLUS-SDK>

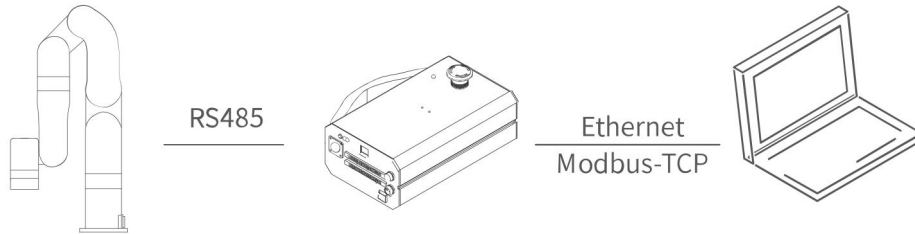
Note: For the above three developer resources, we have detailed installation steps and commands on github. Please download the installation package for further development.

1.7. More Information

- More product information: <https://www.ufactory.cc/#/en/>
- For technical support, please email to: support@ufactory.cc
- For sales support, please email to: sales@ufactory.cc

2. xArm Communication Protocol

2.1. Control Box Communication Protocol



Note: The current protocol has some format changes for xArm. Please use this manual as the main protocol when running the robotic arm.

The main content of this chapter has two parts:

- (1) Control the motion of the robotic arm by Modbus TCP through AC/DC Control Box.
- (2) Control the IO device of the control box and the IO device at the end of the robotic arm by Modbus TCP through AC/DC Control Box.

2.1.1. Unit Definition

The following explains some of the symbols used in the examples and tables:

【u8】 : 1 Byte, 8-bit unsigned int

【u16】 : 2 Bytes, 16-bit unsigned int

【fp32】 : 4 Bytes, float

【str】 : String

【System reset】 : The user just enters the state after the mode switch or changes some settings (such as TCP offset, sensitivity, etc.). The above operations will terminate the ongoing movement of the robotic arm and clear the cache commands, which is the same as the STOP state.

2.1.2. Modbus-TCP Communication Format

Modbus-TCP:

Modbus protocol is an application layer message transmission protocol, including three message types: ASCII, RTU, and TCP. The standard Modbus protocol physical layer interface includes RS232, RS422, RS485 and Ethernet interfaces, and adopts master / slave communication.

Modbus TCP Communication Process:

1. Establish a TCP connection.
2. Prepare Modbus messages.
3. Use the send command to send a message.
4. Waiting for a response under the same connection.
5. Use the recv command to read the message and complete a data exchange.
6. When the communication task ends, close the TCP connection.

Parameter:

Default TCP Port: 502

Protocol: 0x00 0x02 Control (Only this one for now)

Request Commands Format

Format	Transaction Identifier (u16)	Protocol (u16)	Length (u16)	Register (u8)	Parameters (Refer to the statement of each commands)
Length	2 Bytes	2 Bytes	2 Bytes	1 Byte	n Bytes
Example (Enable the robotic arm)	0x00 0x01	0x00 0x02	0x00 0x03	0x0B	0x08 0x01

Response command format

Format	Transaction Identifier (u16)	Protocol (u16)	Length (u16)	Register (u8)	Status (u8)	Parameters (Refer to the statement of each commands)
Length	2 Bytes	2 Bytes	2 Bytes	1 Byte	1 Byte	n Bytes
Example (Enable the robotic arm)	0x00 0x01	0x00 0x02	0x00 0x02	0x0B	0x00	none

Status Bit of the Response Format

Bit7	Bit6	Bit5	Bit4	Bit3	Bit2	Bit1	Bit0
0: normal	1: error 0: normal	1: warning 0: normal	1: cannot perform motion 0: normal	0: normal	0: normal	0: normal	0: normal

General notes:

● **Transaction Identifier:** Generally, 1 is added after each communication to distinguish different communication data packets.

● **Protocol :** 0x00 0x02 means ModbusTCP protocol.

● **Length:** Indicates the next data length in bytes.

● **Register:** Device address.

● **On the problem of users using communication protocols to organize data in big endian and little endian:**

Modbus-TCP control protocol:

1. The transaction identifier (u16) are analyzed in big endian order.
2. protocol identifier (u16) and are analyzed in big endian order.
3. length (u16) of the message head are analyzed in big endian order.
4. The 32-bit data (fp32, int32) in the parameter are analyzed in little endian order.
5. Integer data(u16) involving GPIO operation are analyzed in big endian order.

Automatic reporting data analysis:

1. Integer data (16/32 bits) are analyzed in big endian order.
2. Floating-point (fp32) data is analyzed in little endian order.

Example:

Assume that the type of the variable x is int, located at address 0x100, there is a hexadecimal number 0x12345678 (high order is 0x12, low order is 0x78), and the byte order of the address range 0x100-0x103 depends on the type of machine:

Big-endian method:

	0x100	0x101	0x102	0x103	
...	0x12	0x34	0x56	0x78	...

Little-endian method:

	0x100	0x101	0x102	0x103	
...	0x78	0x56	0x34	0x12	...

2.1.3. Register (Robotic Arm Control)

2.1.3.1 Register (General)

The following is an example of joint motion, axis angular motion, setting parameters, getting parameters, and special IO commands

Function	Joint motion	Set the maximum acceleration of TCP motion	Get cartesian position	Linear motion of the target in the axial angle posture	The operation triggered by the position of the general digital IO of the control box
----------	--------------	--	------------------------	--	--

Joint motion (P2P motion)				
Register23 (0x17)				
Request				
Modbus TCP Header	Transaction ID	2 Bytes	u16	0x00, 0x01
	Protocol	2 Bytes	u16	0x00, 0x02
	Length	2 Bytes	u16	0x00, 0x29
	Register	1 Byte	u8	0x17
Parameters	Joint1 ($J1 = \pi / 3$)	4 Bytes	fp32	0x92, 0x0A, 0x86, 0x3F
		4 Bytes	fp32	0x00, 0x00, 0x00, 0x00

	Joint3 (J3=0)	4 Bytes	fp32	0x00, 0x00, 0x00, 0x00
	Joint4 (J4=0)	4 Bytes	fp32	0x00, 0x00, 0x00, 0x00
	Joint5 (J5=0)	4 Bytes	fp32	0x00, 0x00, 0x00, 0x00
	Joint6 (J6=0)	4 Bytes	fp32	0x00, 0x00, 0x00, 0x00
	Joint7 (J7=0)	4 Bytes	fp32	0x00, 0x00, 0x00, 0x00
	Parameter8 (speed=20* π /180rad/s)	4 Bytes	fp32	0xC2, 0xB8, 0xB2, 0x3E
	Parameter9 (acceleration=500* π /180rad/s ²)	4 Bytes	fp32	0x58, 0xA0, 0x0B, 0x41
	Parameter10 (motion time=0)	4 Bytes	fp32	0x00, 0x00, 0x00, 0x00
Response				
Modbus TCP Header	Transaction ID	2 Bytes	u16	0x00, 0x01
	Protocol	2 Bytes	u16	0x00, 0x02
	Length	2 Bytes	u16	0x00, 0x04
	Register	1 Byte	u8	0x17
Parameters	State	1 Byte	u8	0x00
	Parameter	2 Bytes	u16	0x00, 0x01

Set the maximum acceleration of TCP motion				
Register32 (0x20)				
Request				
Modbus TCP Header	Transaction ID	2 Bytes	u16	0x00, 0x01
	Protocol	2 Bytes	u16	0x00, 0x02
	Length	2 Bytes	u16	0x00, 0x05
	Register	1 Byte	u8	0x20
Parameters	Parameter1 (maxacc=1000mm/s ²)	4 Bytes	fp32	0x00, 0x00, 0x7A, 0x44
Response				
Modbus TCP Header	Transaction ID	2 Bytes	u16	0x00, 0x01
	Protocol	2 Bytes	u16	0x00, 0x02
	Length	2 Bytes	u16	0x00, 0x04
	Register	1 Byte	u8	0x20
Parameters	State	1 Byte	u8	0x00
	Parameter	2 Bytes	u16	0x00, 0x01

Get Cartesian position

Register41 (0x29)				
Request				
Modbus TCP Header	Transaction ID	2 Bytes	u16	0x00, 0x01
	Protocol	2 Bytes	u16	0x00, 0x02
	Length	2 Bytes	u16	0x00, 0x01
	Register	1 Byte	u8	0x29
Response				
Modbus TCP Header	Transaction ID	2 Bytes	u16	0x00, 0x01
	Protocol	2 Bytes	u16	0x00, 0x02
	Length	2 Bytes	u16	0x0, 0x1A
	Register	1 Byte	u8	0x29
Parameters	State	1 Byte	u8	0x00
	Parameter1 (x=207mm)	4 Bytes	fp32	0x00, 0x00, 0x4F, 0x43
	Parameter2 (y=0mm)	4 Bytes	fp32	0x00, 0x00, 0x00, 0x00
	Parameter3 (z=112mm)	4 Bytes	fp32	0x00, 0x00, 0xE0, 0x42
	Parameter4 (roll= π)	4 Bytes	fp32	0xDB, 0x0F, 0x49, 0x40
	Parameter5 (pitch=0)	4 Bytes	fp32	0x00, 0x00, 0x00, 0x00
	Parameter6 (yaw=0)	4 Bytes	fp32	0x00, 0x00, 0x00, 0x00

Linear motion of the target in the axis angle posture				
Register92 (0x5C)				
Request				
Modbus TCP Header	Transaction ID	2 Bytes	u16	0x00, 0x01
	Protocol	2 Bytes	u16	0x00, 0x02
	Length (parameter length+1)	2 Bytes	u16	0x00, 0x27
	Register	1 Byte	u8	0x5C
Parameters	Parameter1 (X=0mm)	4 Bytes	fp32	0x00, 0x00, 0x00, 0x00
	Parameter2 (Y=0mm)	4 Bytes	fp32	0x00, 0x00, 0x00, 0x00
	Parameter3 (Z=0mm)	4 Bytes	fp32	0x00, 0x00, 0x00, 0x00
	Parameter4 (Rx=0)	4 Bytes	fp32	0x00, 0x00, 0x00, 0x00
	Parameter5 (Ry=0)	4 Bytes	fp32	0x00, 0x00, 0x00, 0x00
	Parameter6 (Rz=2 π)	4 Bytes	fp32	0xDB, 0x0F, 0xC9, 0x40
	Parameter7 (speed=100mm/s)	4 Bytes	fp32	0x00, 0x00, 0xC8, 0x42
	Parameter8 (acceleration=2000mm/s ²)	4 Bytes	fp32	0x00, 0x00, 0xFA, 0x44
	Parameter9 (motion time=0)	4 Bytes	fp32	0x00, 0x00, 0x00, 0x00

	Parameter10 (Motion coordinate system) 0 represents base coordinate system motion 1 represents tool coordinate system motion	1 Byte	u8	0x00
	Parameter11(absolute pose) If the motion coordinate system is the base coordinate system 0 represents the given pose is an absolute pose 1 represents the given pose is a relative pose (the given parameters 1-6 coordinates are based on the current an offset of position)	1 Byte	u8	0x01
Response				
Modbus TCP Header	Transaction ID	2 Bytes	u16	0x00, 0x01
	Protocol	2 Bytes	u16	0x00, 0x02
	Length (parameter length+1)	2 Bytes	u16	0x00, 0x04
	Register	1 Byte	u8	0x5C
Parameters	State	1 Byte	u8	0x00
	Parameter	2 Bytes	u16	0x00, 0x01

The operation triggered by the position of the general digital IO of the control box				
Register145 (0x91)				
Request				
Modbus TCP Header	Transaction ID	2 Bytes	u16	0x00, 0x01
	Protocol	2 Bytes	u16	0x00, 0x02
	Length	2 Bytes	u16	0x00, 0x13
	Register	1 Byte	u8	0x91
Parameters	Parameter1 (iomum=0)	1 Byte	u8	0x00
	Parameter2(on-off: on(1))	1 Byte	u8	0x01
	Parameter3 (x=300)	4 Bytes	fp32	0x00, 0x00, 0x96, 0x43
	Parameter4 (y=0)	4 Bytes	fp32	0x00, 0x00, 0x00, 0x00
	Parameter5 (z=300)	4 Bytes	fp32	0x00, 0x00, 0x96, 0x43
	Parameter6 (Tolerance radius (tol_r) =3)	4 Bytes	fp32	0x00, 0x00, 0x40, 0x40
Response				
Modbus TCP Header	Transaction ID	2 Bytes	u16	0x00, 0x01
	Protocol	2 Bytes	u16	0x00, 0x02

	Length	2 Bytes	u16	0x00, 0x02
	Register	1 Byte	u8	0x91
Parameters	State	1 Byte	u8	0x00

2.1.3.2 Register (Robotic Arm Control)

0~10: Public Port Section

Get version information (0x01)

Get Serial Number information (0x02)

Reload friction parameters (0x04)

Get the value of joint torque or actual current (0x05)

Get the radius of rotation of the target joint relative to the TCP (0x06)

Remotely shut down the operating system (0x0A)

11~20: System State

Enable/Disable servo (System reset) (0x0B)

Motion state setting (0x0C)

Get the motion state (0x0D)

Get the number of commands in the command buffer (0x0E)

Get error and warning code (0x0F)

Clear control box error (System reset) (0x10)

Clear control box warning (0x11)

Setting the brake switches separately (0x12)

Setting the system motion mode (0x13)

20~30: Basic Motion

Cartesian linear motion (0x15)

Linear motion with circular arc (0x16)

P2P joint motion (0x17)

Joint motion with circular arc (0x18)

Return to zero position (0x19)

Pause commands, Commands delay (0x1A)

Linear circular motion (0x1B)

Linear motion in tool coordinate system (0x1C)

Servoj motion (0x1D)

Servo_cartesian motion (0x1E)

31~40: System Parameter Setting

Set the jerk of the cartesian space translation (0x1F)

Set the maximum acceleration of the cartesian space translation (0x20)

Set joint space jerk (0x21)

Set joint space max acceleration (0x22)

Set the offset of the robotic arm end-effector(System reset) (0x23)

End payload setting (0x24)

Set collision detection sensitivity(System reset) (0x25)

Set teaching sensitivity for teaching mode(System reset) (0x26)

Delete the current system configuration parameters (0x27)

Save the current system configuration parameters (0x28)

41~50: Get Motion Information

Get the current cartesian position of the robotic arm (0x29)

Get the current joint position of the robotic arm (0x2A)

Get the solution of the inverse kinematics (0x2B)

Get the solution of the forward kinematics (0x2C)

Check the limit of the joint space (0x2D)

Set TCP speed limit in Reduced Mode (0x2F)

Set Joint speed limit in Reduced Mode (0x30)

Get the state of the Reduced Mode (0x31)

Set the state of the Reduced Mode (0x32)

51~100: Other Robotic Arm Functions

Set the gravity direction (0x33)

Set the safe boundary range (0x34)

Get all configurations of the Reduced Mode (0x35)

Get current joint torque of the servo (0x37)

Set joint range limit of Reduced Mode (0x3A)

Safety boundary start switch (0x3B)
 Set the state of Collision Rebound (0x3C)
 Start/Stop trajectory record (0x3D)
 Save recorded trajectory (0x3E)
 Load recorded trajectory (0x3F)
 Playback recorded trajectory (0x40)
 Get the state of recorded trajectory (0x41)
 Set allow to avoid overspeed near some singularities using approximate solutions (0x42)
 Set the joint torque (theoretical) and current of servo (0x46)
 Set the offset of the user coordinate system and the base coordinate system (0x49)
 Calculate the attitude offset of two given points (0x4C)
 Set the self-collision detection function of the robotic arm (0x4D)
 The geometric model of the end tool added when setting the self-collision detection (0x4E)
 Set whether to enable the virtual robotic arm mode (0x4F)
 Global setting for Cartesian motion velocity continuous(0x50)
 Joint velocity control (0x51)
 Cartesian velocity control (0x52)
 Relative motion control (0x53)
 Get the attitude represented by the axis angle attitude (0x5B)
 Linear motion with axis angle attitude as target (0x5C)
 Servo_cartesian motion (axis angle) (0x5D)

101~115: Servo Module

Get the state of the current robotic arm servo (0x6A)

0~10 Common Port Section

Get version information
Register: 1(0x01)

Request				
Modbus TCP Header	Transaction ID	2 Bytes	u16	0x00, 0x01
	Protocol	2 Bytes	u16	0x00, 0x02
	Length	2 Bytes	u16	0x00, 0x01
	Register	1 Byte	u8	0x01
Response				
Modbus TCP Header	Transaction ID	2 Bytes	u16	0x00, 0x01
	Protocol	2 Bytes	u16	0x00, 0x02
	Length	2 Bytes	u16	0x00, 0x02
	Register	1 Byte	u8	0x01
Parameter	State	1 Byte	u8	0x00

Get SN information				
Register: 2(0x02)				
Request				
Modbus TCP Header	Transaction ID	2 Bytes	u16	0x00, 0x01
	Protocol	2 Bytes	u16	0x00, 0x02
	Length	2 Bytes	u16	0x00, 0x01
	Register	1 Byte	u8	0x02
Response				
Modbus TCP Header	Transaction ID	2 Bytes	u16	0x00, 0x01
	Protocol	2 Bytes	u16	0x00, 0x02
	Length	2 Bytes	u16	0x00, 0x02
	Register	1 Byte	u8	0x02
Parameter	State	1 Byte	u8	0x00
	Parameter (String) SN of robot and control box	n Byte	n*u8	XI120010191B03AC1300032100 00

Reload friction parameters				
Register: 4(0x04)				
Request				
Modbus TCP Header	Transaction ID	2 Bytes	u16	0x00, 0x01
	Protocol	2 Bytes	u16	0x00, 0x02
	Length	2 Bytes	u16	0x00, 0x01
	Register	1 Byte	u8	0x04
Response				
Modbus TCP Header	Transaction ID	2 Bytes	u16	0x00, 0x01
	Protocol	2 Bytes	u16	0x00, 0x02

	Length	2 Bytes	u16	0x00, 0x02
	Register	1 Byte	u8	0x04
Parameter	State	1 Byte	u8	0x00

Get the value of Joint torque or actual current				
Register: 5(0x05)				
Request				
Modbus TCP Header	Transaction ID	2 Bytes	u16	0x00, 0x01
	Protocol	2 Bytes	u16	0x00, 0x02
	Length	2 Bytes	u16	0x00, 0x01
	Register	1 Byte	u8	0x05
Response				
Modbus TCP Header	Transaction ID	2 Bytes	u16	0x00, 0x01
	Protocol	2 Bytes	u16	0x00, 0x02
	Length	2 Bytes	u16	0x00, 0x03
	Register	1 Byte	u8	0x05
Parameters	State	1 Byte	u8	0x00
	Parameter 1 (Value of theoretical joint torque) 0: Value of theoretical joint torque 1: Value of actual current of servo	1 Byte	u8	0x00

Get the radius of rotation of the target joint relative to the TCP (0x06)				
Register: 6(0x06)				
Request				
Modbus TCP Header	Transaction ID	2 Bytes	u16	0x00, 0x01
	Protocol	2 Bytes	u16	0x00, 0x02
	Length	2 Bytes	u16	0x00, 0x02
	Register	1 Byte	u8	0x06
	Parameter 1(target joint:6)	1 Byte	U8	0x06
Response				
Modbus TCP Header	Transaction ID	2 Bytes	u16	0x00, 0x01
	Protocol	2 Bytes	u16	0x00, 0x02
	Length	2 Bytes	u16	0x00, 0x06
	Register	1 Byte	u8	0x06
Parameter	State	1 Byte	u8	0x00

	Parameter 1 (Radius of rotation)	4 Bytes	fp32	0x00, 0x00, 0x00, 0x00
--	-------------------------------------	---------	------	------------------------

Remote shut down the operating system				
Register10 (0x0A)				
Request				
Modbus TCP Header	Transaction ID	2 Bytes	u16	0x00, 0x01
	Protocol	2 Bytes	u16	0x00, 0x02
	Length	2 Bytes	u16	0x00, 0x02
	Register	1 Byte	u8	0x0A
Parameters	Parameter1 (Operation: remote shut down the operating system temporarily)	1 Byte	u8	0x01
Response				
Modbus TCP Header	Transaction ID	2 Bytes	u16	0x00, 0x01
	Protocol	2 Bytes	u16	0x00, 0x02
	Length (parameter length+1)	2 Bytes	u16	0x00, 0x04
	Register	1 Byte	u8	0x0A
Parameters	State	1 Byte	u8	0x00
	Parameter	2 Bytes	u16	0x00, 0x01

Enable/Disable servo (System reset)				
Note: The above operations will terminate the ongoing movement of the robotic arm and clear the cache commands, which is the same as the STOP state.				
Register: 11(0x0B)				
Request				
Modbus TCP Header	Transaction ID	2 Bytes	u16	0x00, 0x01
	Protocol	2 Bytes	u16	0x00, 0x02
	Length (parameter length+1)	2 Bytes	u16	0x00, 0x03
	Register	1 Byte	u8	0x0B

Parameters	Joint Number(Select all joints) 1-7: Motor joint(1-7) 8: Select all joints	1 Byte	u8	0x08
	Whether to enable the servo 1: Enable servo 0: Disable servo	1 Byte	u8	Enable: 0x01 Disable: 0x00
Response				
Modbus TCP Header	Transaction ID	2 Bytes	u16	0x00, 0x01
	Protocol	2 Bytes	u16	0x00, 0x02
	Length (parameter length+1)	2 Bytes	u16	0x00, 0x02
	Register	1 Byte	u8	0x0B
Parameters	State	1 Byte	u8	0x10

11~20 System State

Motion state setting				
Register: 12(0x0C)				
Request				
Modbus TCP Header	Transaction ID	2 Bytes	u16	0x00, 0x01
	Protocol	2 Bytes	u16	0x00, 0x02
	Length (parameter length+1)	2 Bytes	u16	0x00, 0x02
	Register	1 Byte	u8	0x00
Parameters	Parameter1: Motion Sate 3: Suspend the current motion 4: Stop all current motion (restart the system) 0: Enter the motion mode	1 Byte	u8	0x00
Response				
Modbus TCP Header	Transaction ID	2 Bytes	u16	0x00, 0x01
	Protocol	2 Bytes	u16	0x00, 0x02
	Length (parameter length+1)	2 Bytes	u16	0x00, 0x02
	Register	1 Byte	u8	0x0C
Parameters	State	1 Byte	u8	0x00

Get the motion state

Register: 13 (0x0D)				
Request				
Modbus TCP Header	Transaction ID	2 Bytes	u16	0x00, 0x01
	Protocol	2 Bytes	u16	0x00, 0x02
	Length (parameter length+1)	2 Bytes	u16	0x00, 0x01
	Register	1 Byte	u8	0x0D
Response				
Modbus TCP Header	Transaction ID	2 Bytes	u16	0x00, 0x01
	Protocol	2 Bytes	u16	0x00, 0x02
	Length (parameter length+1)	2 Bytes	u16	0x00, 0x03
	Register	1 Byte	u8	0x0D
Parameters	State	1 Byte	u8	0x00
	Parameter1 Motion state: 1: In motion 2: Sleep 3: Suspend 4: Stop 5: System reset The user just enters the state after the mode switch or changes some settings (such as TCP offset, sensitivity, etc.). The above operations will terminate the ongoing movement of the robotic arm and clear the cache commands, which is the same as the STOP state.	1 Byte	u8	0x01

Get the number of commands in the command buffer				
Register: 14 (0x0E)				
Request				
Modbus TCP Header	Transaction ID	2 Bytes	u16	0x00, 0x01
	Protocol	2 Bytes	u16	0x00, 0x02
	Length	2 Bytes	u16	0x00, 0x01
	Register	1 Byte	u8	0x0E

Response				
Modbus TCP Header	Transaction ID	2 Bytes	u16	0x00, 0x01
	Protocol	2 Bytes	u16	0x00, 0x02
	Length (parameter length+1)	2 Bytes	u16	0x00, 0x04
	Register	1 Byte	u8	0x0E
Parameters	State	1 Byte	u8	0x00
	Parameter1 (The number of commands in the buffer)	2 Bytes	u16	0x00, 0x01

Get error and warning code				
Register: 15 (0x0F)				
Request				
Modbus TCP Header	Transaction ID	2 Bytes	u16	0x00, 0x01
	Protocol	2 Bytes	u16	0x00, 0x02
	Length (parameter length+1)	2 Bytes	u16	0x00, 0x01
	Register	1 Byte	u8	0x0F
Response				
Modbus TCP Header	Transaction ID	2 Bytes	u16	0x00, 0x01
	Protocol	2 Bytes	u16	0x00, 0x02
	Length (parameter length+1)	2 Bytes	u16	0x00, 0x04
	Register	1 Byte	u8	0x0F
Parameters	State	1 Byte	u8	0x00
	Parameter1 (Error code)	1 Byte	u8	0x00
	Parameter2 (Warning code)	1 Byte	u8	0x00

Clear control box error (System reset)				
Note: The above operations will terminate the ongoing movement of the robotic arm and clear the cache commands, which is the same as the STOP state.				
Register: 16 (0x10)				
Request				
Modbus TCP Header	Transaction ID	2 Bytes	u16	0x00, 0x01
	Protocol	2 Bytes	u16	0x00, 0x02
	Length (parameter length+1)	2 Bytes	u16	0x00, 0x01
	Register	1 Byte	u8	0x10

Response				
Modbus TCP Header	Transaction ID	2 Bytes	u16	0x00, 0x01
	Protocol	2 Bytes	u16	0x00, 0x02
	Length (parameter length+1)	2 Bytes	u16	0x00, 0x02
	Register	1 Byte	u8	0x10
Parameters	State	1 Byte	u8	0x10

Clear control box warning				
Register: 17 (0x11)				
Request				
Modbus TCP Header	Transaction ID	2 Bytes	u16	0x00, 0x01
	Protocol	2 Bytes	u16	0x00, 0x02
	Length (parameter length+1)	2 Bytes	u16	0x00, 0x01
	Register	1 Byte	u8	0x11
Response				
Modbus TCP Header	Transaction ID	2 Bytes	u16	0x00, 0x01
	Protocol	2 Bytes	u16	0x00, 0x02
	Length (parameter length+1)	2 Bytes	u16	0x00, 0x02
	Register	1 Byte	u8	0x11
Parameters	State	1 Byte	u8	0x00

Setting the brake switches separately (System reset)				
Note: The above operations will terminate the ongoing movement of the robotic arm and clear the cache commands, which is the same as the STOP state.				
Register: 18 (0x12)				
Request				
Modbus TCP Header	Transaction ID	2 Bytes	u16	0x00, 0x01
	Protocol	2 Bytes	u16	0x00, 0x02
	Length	2 Bytes	u16	0x00, 0x03
	Register	1 Byte	u8	0x12
Parameters	Parameter1(Select all joints) Control the brakes: 1~6: Select motor joint separately	1 Byte	u8	0x08

	8: Select all joints			
	Parameter2 (Enable the brake) Operation: 1: Enable the brake 0: Release the brake	1 Byte	u8	0x01
Response				
Modbus TCP Header	Transaction ID	2 Bytes	u16	0x00, 0x01
	Protocol	2 Bytes	u16	0x00, 0x02
	Length	2 Bytes	u16	0x00, 0x02
	Register	1 Byte	u8	0x12
Parameters	State	1 Byte	u8	0x10

Setting the system motion mode (System reset)				
Note: The above operations will terminate the ongoing movement of the robotic arm and clear the cache commands, which is the same as the STOP state.				
Register: 19 (0x13)				
Request				
Modbus TCP Header	Transaction ID	2 Bytes	u16	0x00, 0x01
	Protocol	2 Bytes	u16	0x00, 0x02
	Length (parameter length+1)	2 Bytes	u16	0x00, 0x02
	Register	1 Byte	u8	0x13
Parameters	Parameter1 (Position control mode) Motion mode: 0: Position control mode 1: servo motion mode 2: Joint teaching mode 3: Cartesian teaching mode (not yet available)	1 Byte	u8	0x00
Response				
Modbus TCP Header	Transaction ID	2 Bytes	u16	0x00, 0x01
	Protocol	2 Bytes	u16	0x00, 0x02
	Length	2 Bytes	u16	0x00, 0x02
	Register	1 Byte	u8	0x13
Parameters	State	1 Byte	u8	0x10

21~30 Basic Motion

Cartesian linear motion				
Register21 (0x15)				
Request				
Modbus TCP Header	Transaction ID	2 Bytes	u16	0x00, 0x01
	Protocol	2 Bytes	u16	0x00, 0x02
	Length	2 Bytes	u16	0x00, 0x25
	Register	1 Byte	u8	0x15
Parameters	Parameter1 (x=400mm)	4 Bytes	fp32	0x00, 0x00, 0xC8, 0x43
	Parameter2 (y=0mm)	4 Bytes	fp32	0x00, 0x00, 0x00, 0x00
	Parameter3 (z=200mm)	4 Bytes	fp32	0x00, 0x00, 0x48, 0x43
	Parameter4 (roll= π)	4 Bytes	fp32	0xDB, 0x0F, 0x49, 0x40
	Parameter5 (pitch=0)	4 Bytes	fp32	0x00, 0x00, 0x00, 0x00
	Parameter6 (yaw=0)	4 Bytes	fp32	0x00, 0x00, 0x00, 0x00
	Parameter8 (speed=100mm/s)	4 Bytes	fp32	0x00, 0x00, 0xC8, 0x42
	Parameter9 (acceleration=2000mm/s ²) =500* π /180rad/s ²)	4 Bytes	fp32	0x00, 0x00, 0xFA, 0x44
	Parameter10 (motion time=0)	4 Bytes	fp32	0x00, 0x00, 0x00, 0x00
Response				
Modbus TCP Header	Transaction ID	2 Bytes	u16	0x00, 0x01
	Protocol	2 Bytes	u16	0x00, 0x02
	Length	2 Bytes	u16	0x00, 0x04
	Register	1 Byte	u8	0x15
Parameters	State	1 Byte	u8	0x00
	Parameter	2 Bytes	u16	0x00, 0x01

Linear motion with circular arc				
Register: 22 (0x16)				
Request				
Modbus TCP Header	Transaction ID	2 Bytes	u16	0x00, 0x01
	Protocol	2 Bytes	u16	0x00, 0x02
	Length (parameter length+1)	2 Bytes	u16	0x00, 0x29

	Register	1 Byte	u8	0x16
Parameters	Parameter1 (x=400mm)	4 Bytes	fp32	0x00, 0x00, 0xC8, 0x43
	Parameter2 (y=0mm)	4 Bytes	fp32	0x00, 0x00, 0x00, 0x00
	Parameter3 (z=200mm)	4 Bytes	fp32	0x00, 0x00, 0x48, 0x43
	Parameter4 (roll= π)	4 Bytes	fp32	0xDB, 0x0F, 0x49, 0x40
	Parameter5 (pitch=0)	4 Bytes	fp32	0x00, 0x00, 0x00, 0x00
	Parameter6 (yaw=0)	4 Bytes	fp32	0x00, 0x00, 0x00, 0x00
	Parameter7 (motion speed=100 mm/s)	4 Bytes	fp32	0x00, 0x00, 0xC8, 0x42
	Parameter8 (acceleration=2000mm/s ²)	4 Bytes	fp32	0x00, 0x00, 0xFA, 0x44
	Parameter9 (motion time (0))	4 Bytes	fp32	0x00, 0x00, 0x00, 0x00
	Parameter10 (Arc blending radius=50 mm)	4 Bytes	fp32	0x00, 0x00, 0x48, 0x42
Response				
Modbus TCP Header	Transaction ID	2 Bytes	u16	0x00, 0x01
	Protocol	2 Bytes	u16	0x00, 0x02
	Length (parameter length+1)	2 Bytes	u16	0x00, 0x04
	Register	1 Byte	u8	0x16
Parameters	State	1 Byte	u8	0x00
	Parameter1 (The number of commands in the buffer)	2 Bytes	u16	0x00, 0x01

P2P joint motion				
Register: 23 (0x17)				
Request				
Modbus TCP Header	Transaction ID	2 Bytes	u16	0x00, 0x01
	Protocol	2 Bytes	u16	0x00, 0x02
	Length (parameter length+1)	2 Bytes	u16	0x00, 0x29
	Register	1 Byte	u8	0x17
Parameters	Joint1 (J1= $\pi/3$)	4 Bytes	fp32	0x92, 0x0A, 0x86, 0x3F
	Joint2 (J2=0)	4 Bytes	fp32	0x00, 0x00, 0x00, 0x00
	Joint3 (J3=0)	4 Bytes	fp32	0x00, 0x00, 0x00, 0x00
	Joint4 (J4=0)	4 Bytes	fp32	0x00, 0x00, 0x00, 0x00
	Joint5 (J5=0)	4 Bytes	fp32	0x00, 0x00, 0x00, 0x00

	Joint6 (J6=0)	4 Bytes	fp32	0x00, 0x00, 0x00, 0x00
	Joint7 (J7=0)	4 Bytes	fp32	0x00, 0x00, 0x00, 0x00
	Parameter8 (speed=20* π /180rad/s)	4 Bytes	fp32	0xC2, 0xB8, 0xB2, 0x3E
	Parameter9 (acceleration500* π /180rad/s ²)	4 Bytes	fp32	0x58, 0xA0, 0x0B, 0x41
	Parameter10(motion time=0)	4 Bytes	fp32	0x00, 0x00, 0x00, 0x00
Response				
Modbus TCP Header	Transaction ID	2 Bytes	u16	0x00, 0x01
	Protocol	2 Bytes	u16	0x00, 0x02
	Length (parameter length+1)	2 Bytes	u16	0x00, 0x04
	Register	1 Byte	u8	0x17
Parameters	State	1 Byte	u8	0x00
	Parameter1 (The number of commands in the buffer)	2 Bytes	u16	0x00, 0x01

Joint motion with circular arc				
Register: 24 (0x18)				
Request				
Modbus TCP Header	Transaction ID	2 Bytes	u16	0x00, 0x01
	Protocol	2 Bytes	u16	0x00, 0x02
	Length (parameter length+1)	2 Bytes	u16	0x00, 0x29
	Register	1 Byte	u8	0x18
Parameters	Joint1 (J1= π /3)	4 Bytes	fp32	0x92, 0x0A, 0x86, 0x3F
	Joint2 (J2=0)	4 Bytes	fp32	0x00, 0x00, 0x00, 0x00
	Joint3 (J3=0)	4 Bytes	fp32	0x00, 0x00, 0x00, 0x00
	Joint4 (J4=0)	4 Bytes	fp32	0x00, 0x00, 0x00, 0x00
	Joint5 (J5=0)	4 Bytes	fp32	0x00, 0x00, 0x00, 0x00
	Joint6 (J6=0)	4 Bytes	fp32	0x00, 0x00, 0x00, 0x00
	Joint7 (J7=0)	4 Bytes	fp32	0x00, 0x00, 0x00, 0x00
	Parameter8 (speed=20* π /180rad/s)	4 Bytes	fp32	0xC2, 0xB8, 0xB2, 0x3E
	Parameter9 (acceleration500* π /180rad/s ²)	4 Bytes	fp32	0x58, 0xA0, 0x0B, 0x41
	Parameter10 (Arc blending radius=10mm)	4 Bytes	fp32	0x00, 0x00, 0x020, 0x41
Response				

Modbus TCP Header	Transaction ID	2 Bytes	u16	0x00, 0x01
	Protocol	2 Bytes	u16	0x00, 0x02
	Length (parameter length+1)	2 Bytes	u16	0x00, 0x04
	Register	1 Byte	u8	0x18
Parameters	State	1 Byte	u8	0x00
	Parameter1 (The number of commands in the buffer)	2 Bytes	u16	0x00, 0x01

Return to zero position				
Register: 25 (0x19)				
Request				
Modbus TCP Header	Transaction ID	2 Bytes	u16	0x00, 0x01
	Protocol	2 Bytes	u16	0x00, 0x02
	Length (parameter length+1)	2 Bytes	u16	0x00, 0x0D
	Register	1 Byte	u8	0x19
Parameters	Parameter 1 (speed=50rad/s)	4 Bytes	fp32	0xDB, 0x0F, 0x49, 0x40
	Parameter2 (acceleration=600rad/s ²)	4 Bytes	fp32	0xF3, 0x66, 0xDF, 0x40
	Parameter3 (motion time=0)	4 Bytes	fp32	0x00, 0x00, 0x00, 0x00
Response				
Modbus TCP Header	Transaction ID	2 Bytes	u16	0x00, 0x01
	Protocol	2 Bytes	u16	0x00, 0x02
	Length (parameter length+1)	2 Bytes	u16	0x00, 0x04
	Register	1 Byte	u8	0x19
Parameters	State	1 Byte	u8	0x00
	Parameter1 (The number of commands in the buffer)	2 Bytes	u16	0x00, 0x01

Pause commands, Command delay				
Register: 26 (0x1A)				
Request				
Modbus TCP Header	Transaction ID	2 Bytes	u16	0x00, 0x01
	Protocol	2 Bytes	u16	0x00, 0x02
	Length (parameter length+1)	2 Bytes	u16	0x00, 0x05
	Register	1 Byte	u8	0x1A
Parameters	Parameter1	4 Bytes	fp32	0x00, 0x00, 0x40, 0x40

	(Pause time=3s)			
Response				
Modbus TCP Header	Transaction ID	2 Bytes	u16	0x00, 0x01
	Protocol	2 Bytes	u16	0x00, 0x02
	Length	2 Bytes	u16	0x00, 0x04
	Register	1 Byte	u8	0x1A
Parameters	State	1 Byte	u8	0x00
	Parameter1 (The number of commands in the buffer)	2 Bytes	u16	0x00, 0x01

Circular motion				
The motion calculates the trajectory of the space circle according to the three-point coordinates, and the three-point coordinates are (current starting point, parameter 1, parameter 2)				
Register: 27 (0x1B)				
Request				
Modbus TCP Header	Transaction ID	2 Bytes	u16	0x00, 0x01
	Protocol	2 Bytes	u16	0x00, 0x02
	Length (parameter length+1)	2 Bytes	u16	0x00, 0x41
	Register	1 Byte	u8	0x1B
Parameters	Parameter1 (x=400mm)	4 Bytes	fp32	0x00, 0x00, 0xC8, 0x43
	Parameter2 (y=0mm)	4 Bytes	fp32	0x00, 0x00, 0x00, 0x00
	Parameter3 (z=200mm)	4 Bytes	fp32	0x00, 0x00, 0x48, 0x43
	Parameter4 (roll= π)	4 Bytes	fp32	0xDB, 0x0F, 0x49, 0x40
	Parameter5 (pitch=0)	4 Bytes	fp32	0x00, 0x00, 0x00, 0x00
	Parameter6 (yaw=0)	4 Bytes	fp32	0x00, 0x00, 0x00, 0x00
	Parameter7 (x=400mm)	4 Bytes	fp32	0x00, 0x00, 0xC8, 0x43
	Parameter8 (y=0mm)	4 Bytes	fp32	0x00, 0x00, 0xC8, 0x42
	Parameter9 (z=200mm)	4 Bytes	fp32	0x00, 0x00, 0x48, 0x43
	Parameter10 (roll= π)	4 Bytes	fp32	0xDB, 0x0F, 0x49, 0x40
	Parameter11 (pitch=0)	4 Bytes	fp32	0x00, 0x00, 0x00, 0x00
	Parameter12 (yaw=0)	4 Bytes	fp32	0x00, 0x00, 0x00, 0x00
	Parameter13 (speed=100mm/s)	4 Bytes	fp32	0x00, 0x00, 0xC8, 0x42
	Parameter14 (2000mm/s ²) (acceleration500* π /180rad/s ²)	4 Bytes	fp32	0x00, 0x00, 0xFA, 0x44

	Parameter15(motion time=0)	4 Bytes	fp32	0x00, 0x00, 0x00, 0x00
	Parameter16 (Percentage of the length of arc in motion to circumference=50%)	4 Bytes	fp32	0x00, 0x00, 0x48, 0x42
Response				
Modbus TCP Header	Transaction ID	2 Bytes	u16	0x00, 0x01
	Protocol	2 Bytes	u16	0x00, 0x02
	Length (parameter length+1)	2 Bytes	u16	0x00, 0x04
	Register	1 Byte	u8	0x1B
Parameters	State	1 Byte	u8	0x00
	Parameter1 (The number of commands in the buffer)	2 Bytes	u16	0x00, 0x01

Linear motion in tool coordinate system				
Move in Cartesian linear relative motion based on the current tool coordinate system.				
Register: 28 (0x1C)				
Request				
Modbus TCP Header	Transaction ID	2 Bytes	u16	0x00, 0x01
	Protocol	2 Bytes	u16	0x00, 0x02
	Length (parameter length+1)	2 Bytes	u16	0x00, 0x25
	Register	1 Byte	u8	0x1C
Parameters	Parameter1 (x=400mm)	4 Bytes	fp32	0x00, 0x00, 0xC8, 0x43
	Parameter2 (y=0mm)	4 Bytes	fp32	0x00, 0x00, 0x00, 0x00
	Parameter3 (z=200mm)	4 Bytes	fp32	0x00, 0x00, 0x48, 0x43
	Parameter4 (roll= π)	4 Bytes	fp32	0xDB, 0x0F, 0x49, 0x40
	Parameter5 (pitch=0)	4 Bytes	fp32	0x00, 0x00, 0x00, 0x00
	Parameter6 (yaw=0)	4 Bytes	fp32	0x00, 0x00, 0x00, 0x00
	Parameter7 (speed=20mm/s)	4 Bytes	fp32	0xC2, 0xB8, 0xB2, 0x3E
	Parameter8 (acceleration=2000mm/s ²)	4 Bytes	fp32	0x00, 0x00, 0xFA, 0x44
	Parameter9 (motion time=0)	4 Bytes	fp32	0x00, 0x00, 0x00, 0x00
Response				
Modbus TCP Header	Transaction ID	2 Bytes	u16	0x00, 0x01
	Protocol	2 Bytes	u16	0x00, 0x02
	Length (parameter length+1)	2 Bytes	u16	0x00, 0x04

	Register	1 Byte	u8	0x1C
Parameters	State	1 Byte	u8	0x00
	Parameter1 (Number of commands in the buffer)	2 Bytes	u16	0x00, 0x01

Servoj motion				
Register: 29 (0x1D)				
Request				
Modbus TCP Header	Transaction ID	2 Bytes	u16	0x00, 0x01
	Protocol	2 Bytes	u16	0x00, 0x02
	Length (parameter length+1)	2 Bytes	u16	0x00, 0x29
	Register	1 Byte	u8	0x1D
Parameters	Joint1 (J1= $\pi/3$)	4 Bytes	fp32	0x92, 0x0A, 0x86, 0x3F
	Joint2 (J2=0)	4 Bytes	fp32	0x00, 0x00, 0x00, 0x00
	Joint3 (J3=0)	4 Bytes	fp32	0x00, 0x00, 0x00, 0x00
	Joint4 (J4=0)	4 Bytes	fp32	0x00, 0x00, 0x00, 0x00
	Joint5 (J5=0)	4 Bytes	fp32	0x00, 0x00, 0x00, 0x00
	Joint6 (J6=0)	4 Bytes	fp32	0x00, 0x00, 0x00, 0x00
	Joint7 (J7=0)	4 Bytes	fp32	0x00, 0x00, 0x00, 0x00
	Parameter8 (speed, meaningless, 0)	4 Bytes	fp32	0x00, 0x00, 0x00, 0x00
	Parameter9 (acceleration, meaningless, 0)	4 Bytes	fp32	0x00, 0x00, 0x00, 0x00
	Parameter10 (motion time, meaningless, 0)	4 Bytes	fp32	0x00, 0x00, 0x00, 0x00
Response				
Modbus TCP Header	Transaction ID	2 Bytes	u16	0x00, 0x01
	Protocol	2 Bytes	u16	0x00, 0x02
	Length (parameter length+1)	2 Bytes	u16	0x00, 0x02
	Register	1 Byte	u8	0x1D
Parameters	State	1 Byte	u8	0x00

Servo_cartesian motion				
Interface for receiving high-frequency continuous cartesian trajectory motion.				
Register: 30 (0x1E)				

Request				
Modbus TCP Header	Transaction ID	2 Bytes	u16	0x00, 0x01
	Protocol	2 Bytes	u16	0x00, 0x02
	Length (parameter length+1)	2 Bytes	u16	0x00, 0x25
	Register	1 Byte	u8	0x1E
Parameters	Parameter1 (x=400mm)	4 Bytes	fp32	0x00, 0x00, 0xC8, 0x43
	Parameter2 (y=0mm)	4 Bytes	fp32	0x00, 0x00, 0x00, 0x00
	Parameter3 (z=200mm)	4 Bytes	fp32	0x00, 0x00, 0x48, 0x43
	Parameter4 (roll= π)	4 Bytes	fp32	0xDB, 0x0F, 0x49, 0x40
	Parameter5 (pitch=0)	4 Bytes	fp32	0x00, 0x00, 0x00, 0x00
	Parameter6 (yaw=0)	4 Bytes	fp32	0x00, 0x00, 0x00, 0x00
	Parameter8 (speed, meaningless, 0)	4 Bytes	fp32	0x00, 0x00, 0x00, 0x00
	Parameter9 (acceleration, meaningless, 0)	4 Bytes	fp32	0x00, 0x00, 0x00, 0x00
	Parameter10 Motion coordinate system: 0 : the base coordinate system 1 : the tool coordinate system	4 Bytes	fp32	0x00, 0x00, 0x00, 0x00
Response				
Modbus TCP Header	Transaction ID	2 Bytes	u16	0x00, 0x01
	Protocol	2 Bytes	u16	0x00, 0x02
	Length (parameter length+1)	2 Bytes	u16	0x00, 0x02
	Register	1 Byte	u8	0x1E
Parameters	State	1 Byte	u8	0x00

31~40 Motion Parameter Setting

Set the jerk of the Cartesian space translation				
Register: 31 (0x1F)				
Request				
Modbus TCP Header	Transaction ID	2 Bytes	u16	0x00, 0x01
	Protocol	2 Bytes	u16	0x00, 0x02
	Length (parameter length+1)	2 Bytes	u16	0x00, 0x05
	Register	1 Byte	u8	0x1F

Parameters	Parameter1 (Jerk=2000 mm/s ³)	4 Bytes	fp32	0x00, 0x00, 0xFA, 0x44
Response				
Modbus TCP Header	Transaction ID	2 Bytes	u16	0x00, 0x01
	Protocol	2 Bytes	u16	0x00, 0x02
	Length	2 Bytes	u16	0x00, 0x04
	Register	1 Byte	u8	0x1F
Parameters	State	1 Byte	u8	0x00
	Parameter1 (The number of commands in the buffer)	2 Bytes	u16	0x00, 0x01

Set the maximum acceleration of the Cartesian space translation				
Register: 32 (0x20)				
Request				
Modbus TCP Header	Transaction ID	2 Bytes	u16	0x00, 0x01
	Protocol	2 Bytes	u16	0x00, 0x02
	Length (parameter length+1)	2 Bytes	u16	0x00, 0x05
	Register	1 Byte	u8	0x20
Parameters	Parameter1 (Maximum acceleration=6000mm/s ²)	4 Bytes	fp32	0x00, 0x80, 0xbb, 0x45
Response				
Modbus TCP Header	Transaction ID	2 Bytes	u16	0x00, 0x01
	Protocol	2 Bytes	u16	0x00, 0x02
	Length (parameter length+1)	2 Bytes	u16	0x00, 0x04
	Register	1 Byte	u8	0x20
Parameters	State	1 Byte	u8	0x00
	Parameter1 (The number of commands in the buffer)	2 Bytes	u16	0x00, 0x01

Set the joint space jerk				
Register: 33 (0x21)				
Request				
Modbus TCP Header	Transaction ID	2 Bytes	u16	0x00, 0x01
	Protocol	2 Bytes	u16	0x00, 0x02
	Length (parameter length+1)	2 Bytes	u16	0x00, 0x05
	Register	1 Byte	u8	0x21

Parameters	Parameter1 (Jerk=10000rad/s ³)	4 Bytes	fp32	0x00, 0x40, 0x1C, 0x46
Response				
Modbus TCP Header	Transaction ID	2 Bytes	u16	0x00, 0x01
	Protocol	2 Bytes	u16	0x00, 0x02
	Length (parameter length+1)	2 Bytes	u16	0x00, 0x04
	Register	1 Byte	u8	0x21
Parameters	State	1 Byte	u8	0x00
	Parameter1 (The number of commands in the buffer)	2 Bytes	u16	0x00, 0x01

Set joint space max acceleration				
Register: 34 (0x22)				
Request				
Modbus TCP Header	Transaction ID	2 Bytes	u16	0x00, 0x01
	Protocol	2 Bytes	u16	0x00, 0x02
	Length (parameter length+1)	2 Bytes	u16	0x00, 0x05
	Register	1 Byte	u8	0x22
Parameters	Parameter (Max acceleration=400rad/s ²)	4 Bytes	fp32	0x00, 0x00, 0xC8, 0x43
Response				
Modbus TCP Header	Transaction ID	2 Bytes	u16	0x00, 0x01
	Protocol	2 Bytes	u16	0x00, 0x02
	Length (parameter length+1)	2 Bytes	u16	0x00, 0x04
	Register	1 Byte	u8	0x22
Parameters	State	1 Byte	u8	0x00
	Parameter1 (Number of commands in the buffer)	2 Bytes	u16	0x00, 0x01

Set the offset of the robotic arm end-effector (System reset)				
Note: The above operations will terminate the ongoing movement of the robotic arm and clear the cache commands, which is the same as the STOP state.				
Register: 35 (0x23)				
Request				
Modbus TCP Header	Transaction ID	2 Bytes	u16	0x00, 0x01
	Protocol	2 Bytes	u16	0x00, 0x02
	Length (parameter length+1)	2 Bytes	u16	0x00, 0x19
	Register	1 Byte	u8	0x23
Parameters	Parameter1 (x=400mm)	4 Bytes	fp32	0x00, 0x00, 0xC8, 0x43

	Parameter2 (y=0mm)	4 Bytes	fp32	0x00, 0x00, 0x00, 0x00
	Parameter3 (z=200mm)	4 Bytes	fp32	0x00, 0x00, 0x48, 0x43
	Parameter4 (roll= π)	4 Bytes	fp32	0xDB, 0x0F, 0x49, 0x40
	Parameter5 (pitch=0)	4 Bytes	fp32	0x00, 0x00, 0x00, 0x00
	Parameter6 (yaw=0)	4 Bytes	fp32	0x00, 0x00, 0x00, 0x00
Response				
Modbus TCP Header	Transaction ID	2 Bytes	u16	0x00, 0x01
	Protocol	2 Bytes	u16	0x00, 0x02
	Length (parameter length+1)	2 Bytes	u16	0x00, 0x02
	Register	1 Byte	u8	0x23
Parameters	State	1 Byte	u8	0x10

End payload setting				
Register: 36 (0x24)				
Request				
Modbus TCP Header	Transaction ID	2 Bytes	u16	0x00, 0x01
	Protocol	2 Bytes	u16	0x00, 0x02
	Length	2 Bytes	u16	0x00, 0x11
	Register	1 Byte	u8	0x24
Parameters	Parameter1 (Payload=1kg)	4 Bytes	fp32	0x00, 0x00, 0x80, 0x3F
	Parameter2 (Payload center of mass X=400mm)	4 Bytes	fp32	0x00, 0x00, 0xC8, 0x43
	Parameter3 (Payload center of mass Y=0)	4 Bytes	fp32	0x00, 0x00, 0x00, 0x00
	Parameter4 (Payload center of mass Z=200mm)	4 Bytes	fp32	0x00, 0x00, 0x48, 0x43
Response				
Modbus TCP Header	Transaction ID	2 Bytes	u16	0x00, 0x01
	Protocol	2 Bytes	u16	0x00, 0x02
	Length (parameter length+1)	2 Bytes	u16	0x00, 0x02
	Register	1 Byte	u8	0x24
Parameters	State	1 Byte	u8	0x00

Set collision detection sensitivity (System reset)				
Note: The above operations will terminate the ongoing movement of the robotic arm and clear the cache commands, which is the same as the STOP state.				
Register: 37 (0x25)				
Request				
Modbus TCP Header	Transaction ID	2 Bytes	u16	0x00, 0x01
	Protocol	2 Bytes	u16	0x00, 0x02
	Length (parameter length+1)	2 Bytes	u16	0x00, 0x02

	Register	1 Byte	u8	0x25
Parameters	Parameter1 (Detect sensitivity=4)	1 Byte	u8	0x04
Response				
Modbus TCP Header	Transaction ID	2 Bytes	u16	0x00, 0x01
	Protocol	2 Bytes	u16	0x00, 0x02
	Length (parameter length+1)	2 Bytes	u16	0x00, 0x02
	Register	1 Byte	u8	0x25
Parameters	State	1 Byte	u8	0x10

Set teaching sensitivity for teaching mode (System reset)				
Note: The above operations will terminate the ongoing movement of the robotic arm and clear the cache commands, which is the same as the STOP state.				
Register: 38 (0x26)				
Request				
Modbus TCP Header	Transaction ID	2 Bytes	u16	0x00, 0x01
	Protocol	2 Bytes	u16	0x00, 0x02
	Length (parameter length+1)	2 Bytes	u16	0x00, 0x02
	Register	1 Byte	u8	0x26
Parameters	Parameter1 (Teach sensitivity=4)	1 Byte	u8	0x04
Response				
Modbus TCP Header	Transaction ID	2 Bytes	u16	0x00, 0x01
	Protocol	2 Bytes	u16	0x00, 0x02
	Length (parameter length+1)	2 Bytes	u16	0x00, 0x02
	Register	1 Byte	u8	0x26
Parameters	State	1 Byte	u8	0x10

Delete the current system configuration parameters				
Register: 39 (0x27)				
Request				
Modbus TCP Header	Transaction ID	2 Bytes	u16	0x00, 0x01
	Protocol	2 Bytes	u16	0x00, 0x02
	Length (parameter length+1)	2 Bytes	u16	0x00, 0x01
	Register	1 Byte	u8	0x27
Response				
Modbus TCP Header	Transaction ID	2 Bytes	u16	0x00, 0x01
	Protocol	2 Bytes	u16	0x00, 0x02
	Length (parameter length+1)	2 Bytes	u16	0x00, 0x02
	Register	1 Byte	u8	0x27
Parameters	State	1 Byte	u8	0x00

Save the current system configuration parameters				
Register: 40 (0x28)				
Request				
Modbus TCP Header	Transaction ID	2 Bytes	u16	0x00, 0x01
	Protocol	2 Bytes	u16	0x00, 0x02
	Length (parameter length+1)	2 Bytes	u16	0x00, 0x01
	Register	1 Byte	u8	0x28
Response				
Modbus TCP Header	Transaction ID	2 Bytes	u16	0x00, 0x01
	Protocol	2 Bytes	u16	0x00, 0x02
	Length (parameter length+1)	2 Bytes	u16	0x00, 0x02
	Register	1 Byte	u8	0x28
Parameters	State	1 Byte	u8	0x00

41~50 Get Motion Information

Get the current Cartesian position of the robotic arm				
Register41 (0x29)				
Request				
Modbus TCP Header	Transaction ID	2 Bytes	u16	0x00, 0x01
	Protocol	2 Bytes	u16	0x00, 0x02
	Length (parameter length+1)	2 Bytes	u16	0x00, 0x01
	Register	1 Byte	u8	0x29
Response				
Modbus TCP Header	Transaction ID	2 Bytes	u16	0x00, 0x01
	Protocol	2 Bytes	u16	0x00, 0x02
	Length (parameter length+1)	2 Bytes	u16	0x0, 0x1A
	Register	1 Byte	u8	0x29
Parameters	State	1 Byte	u8	0x00
	Parameter1 (x=207mm)	4 Bytes	fp32	0x00, 0x00, 0x4F, 0x43
	Parameter2 (y=0mm)	4 Bytes	fp32	0x00, 0x00, 0x00, 0x00
	Parameter3 (z=112mm)	4 Bytes	fp32	0x00, 0x00, 0xE0, 0x42
	Parameter4 (roll= π)	4 Bytes	fp32	0xDB, 0x0F, 0x49, 0x40
	Parameter5 (pitch=0)	4 Bytes	fp32	0x00, 0x00, 0x00, 0x00
	Parameter6 (yaw=0)	4 Bytes	fp32	0x00, 0x00, 0x00, 0x00

Get the current joint position of the robotic arm				
Register: 42 (0x2A)				
Request				
Modbus TCP Header	Transaction ID	2 Bytes	u16	0x00, 0x01
	Protocol	2 Bytes	u16	0x00, 0x02
	Length (parameter length+1)	2 Bytes	u16	0x00, 0x01

	Register	1 Byte	u8	0x2A
Response				
Modbus TCP Header	Transaction ID	2 Bytes	u16	0x00, 0x01
	Protocol	2 Bytes	u16	0x00, 0x02
	Length (parameter length+1)	2 Bytes	u16	0x00, 0x1E
	Register	1 Byte	u8	0x2A
Parameters	State	1 Byte	u8	0x00
	joint1 ($J_1 = \pi / 3$)	4 Bytes	fp32	0x92, 0x0A, 0x86, 0x3F
	joint2 ($J_2 = 0$)	4 Bytes	fp32	0x00, 0x00, 0x00, 0x00
	joint3 ($J_3 = 0$)	4 Bytes	fp32	0x00, 0x00, 0x00, 0x00
	joint4 ($J_4 = 0$)	4 Bytes	fp32	0x00, 0x00, 0x00, 0x00
	joint5 ($J_5 = 0$)	4 Bytes	fp32	0x00, 0x00, 0x00, 0x00
	joint6 ($J_6 = 0$)	4 Bytes	fp32	0x00, 0x00, 0x00, 0x00
	joint7 ($J_7 = 0$)	4 Bytes	fp32	0x00, 0x00, 0x00, 0x00

Get the solution of the inverse kinematics				
Register: 43 (0x2B)				
Request				
Modbus TCP Header	Transaction ID	2 Bytes	u16	0x00, 0x01
	Protocol	2 Bytes	u16	0x00, 0x02
	Length (parameter length+1)	2 Bytes	u16	0x00, 0x19
	Register	1 Byte	u8	0x2B
Parameters	Parameter1 ($x=400\text{mm}$)	4 Bytes	fp32	0x00, 0x00, 0xC8, 0x43
	Parameter2 ($y=0\text{mm}$)	4 Bytes	fp32	0x00, 0x00, 0x00, 0x00
	Parameter3 ($z=200\text{mm}$)	4 Bytes	fp32	0x00, 0x00, 0x48, 0x43
	Parameter4 ($\text{roll} = \pi$)	4 Bytes	fp32	0xDB, 0x0F, 0x49, 0x40
	Parameter5 ($\text{pitch}=0$)	4 Bytes	fp32	0x00, 0x00, 0x00, 0x00
	Parameter6 ($\text{yaw}=0$)	4 Bytes	fp32	0x00, 0x00, 0x00, 0x00
Response				
Modbus TCP Header	Transaction ID	2 Bytes	u16	0x00, 0x01
	Protocol	2 Bytes	u16	0x00, 0x02
	Length (parameter length+1)	2 Bytes	u16	0x00, 0x1E
	Register	1 Byte	u8	0x2B
Parameters	State	1 Byte	u8	0x00
	joint1 ($J_1 = 0$)	4 Bytes	fp32	0x00, 0x00, 0x00, 0x00
	joint2 ($J_2 = 0.081803$)	4 Bytes	fp32	0x38, 0x88, 0xA7, 0x3D
	joint3 ($J_3 = -0.641152$)	4 Bytes	fp32	0x88, 0x22, 0x24, 0xBF
	joint4 ($J_4 = 0$)	4 Bytes	fp32	0x00, 0x00, 0x00, 0x00
	joint5 ($J_5 = 0.559349$)	4 Bytes	fp32	0x81, 0x31, 0x0F, 0x3F
	joint6 ($J_6 = 0$)	4 Bytes	fp32	0x00, 0x00, 0x00, 0x00
	joint7 ($J_7 = 0$)	4 Bytes	fp32	0x00, 0x00, 0x00, 0x00

Get the solution of the forward kinematics				
Register: 44 (0x2C)				
Request				
Modbus TCP Header	Transaction ID	2 Bytes	u16	0x00, 0x01
	Protocol	2 Bytes	u16	0x00, 0x02
	Length (parameter length+1)	2 Bytes	u16	0x00, 0x1D
	Register	1 Byte	u8	0x2C
Parameters	joint1 (J1= $\pi/3$)	4 Bytes	fp32	0x92, 0x0A, 0x86, 0x3F
	joint2 (J2=0)	4 Bytes	fp32	0x00, 0x00, 0x00, 0x00
	joint3 (J3=0)	4 Bytes	fp32	0x00, 0x00, 0x00, 0x00
	joint4 (J4=0)	4 Bytes	fp32	0x00, 0x00, 0x00, 0x00
	joint5 (J5=0)	4 Bytes	fp32	0x00, 0x00, 0x00, 0x00
	joint6 (J6=0)	4 Bytes	fp32	0x00, 0x00, 0x00, 0x00
	joint7 (J7=0)	4 Bytes	fp32	0x00, 0x00, 0x00, 0x00
Response				
Modbus TCP Header	Transaction ID	2 Bytes	u16	0x00, 0x01
	Protocol	2 Bytes	u16	0x00, 0x02
	Length (parameter length+1)	2 Bytes	u16	0x00, 0x1A
	Register	1 Byte	u8	0x2C
Parameters	State	1 Byte	u8	0x00
	Parameter1 (x=103.5mm)	4 Bytes	fp32	0x18, 0x00, 0xCF, 0x42
	Parameter2 (y=179.27mm)	4 Bytes	fp32	0x80, 0x44, 0x33, 0x43
	Parameter3 (z=112mm)	4 Bytes	fp32	0x08, 0x01, 0xA0, 0x42
	Parameter4 (roll=- π)	4 Bytes	fp32	0xDB, 0x0F, 0x49, 0xC0
	Parameter5 (pitch=-0)	4 Bytes	fp32	0x00, 0x00, 0x00, 0x80
	Parameter6 (yaw=- $\pi/3$)	4 Bytes	fp32	0x92, 0x0A, 0x86, 0x3F

Check the limit of joint space				
Register: 45 (0x2D)				
Request				
Modbus TCP Header	Transaction ID	2 Bytes	u16	0x00, 0x01
	Protocol	2 Bytes	u16	0x00, 0x02
	Length (parameter length+1)	2 Bytes	u16	0x00, 0x1D
	Register	1 Byte	u8	0x2D
Parameters	joint1 (J1= $\pi/3$)	4 Bytes	fp32	0x92, 0x0A, 0x86, 0x3F
	joint2 (J2=0)	4 Bytes	fp32	0x00, 0x00, 0x00, 0x00
	joint3 (J3=0)	4 Bytes	fp32	0x00, 0x00, 0x00, 0x00
	joint4 (J4=0)	4 Bytes	fp32	0x00, 0x00, 0x00, 0x00
	joint5 (J5=0)	4 Bytes	fp32	0x00, 0x00, 0x00, 0x00
	joint6 (J6=0)	4 Bytes	fp32	0x00, 0x00, 0x00, 0x00
	joint7 (J7=0)	4 Bytes	fp32	0x00, 0x00, 0x00, 0x00

Response				
Modbus TCP Header	Transaction ID	2 Bytes	u16	0x00, 0x01
	Protocol	2 Bytes	u16	0x00, 0x02
	Length (parameter length+1)	2 Bytes	u16	0x00, 0x03
	Register	1 Byte	u8	0x2D
Parameters	State	1 Byte	u8	0x00
	Parameter1 Search result: 1 : Collision occurs 0 : No collision occurs	1 Byte	u8	0x00

Set TCP speed limit in Reduced Mode				
Register: 47 (0x2F)				
Request				
Modbus TCP Header	Transaction ID	2 Bytes	u16	0x00, 0x01
	Protocol	2 Bytes	u16	0x00, 0x02
	Length (parameter length+1)	2 Bytes	u16	0x00, 0x05
	Register	1 Byte	u8	0x2F
Parameters	Parameter 1 (max TCP speed=400mm/s)	4 Bytes	fp32	0x00, 0x00, 0xC8, 0x43
Response				
Modbus TCP Header	Transaction ID	2 Bytes	u16	0x00, 0x01
	Protocol	2 Bytes	u16	0x00, 0x02
	Length (parameter length+1)	2 Bytes	u16	0x00, 0x04
	Register	1 Byte	u8	0x2F
Parameters	State	1 Byte	u8	0x00

Set Joint speed limit in Reduced Mode				
Register: 48 (0x30)				
Request				
Modbus TCP Header	Transaction ID	2 Bytes	u16	0x00, 0x01
	Protocol	2 Bytes	u16	0x00, 0x02
	Length (parameter length+1)	2 Bytes	u16	0x00, 0x05
	Register	1 Byte	u8	0x30
Parameters	Parameter 1 (max joint speed=1.0 rad/s)	4 Bytes	fp32	0x00, 0x00, 0x80, 0x3F
Response				
Modbus TCP Header	Transaction ID	2 Bytes	u16	0x00, 0x01
	Protocol	2 Bytes	u16	0x00, 0x02
	Length (parameter length+1)	2 Bytes	u16	0x00, 0x04
	Register	1 Byte	u8	0x30

Parameters	State	1 Byte	u8	0x00
------------	-------	--------	----	------

Get the state of the Reduced Mode				
Register: 49 (0x31)				
Request				
Modbus TCP Header	Transaction ID	2 Bytes	u16	0x00, 0x01
	Protocol	2 Bytes	u16	0x00, 0x02
	Length (parameter length+1)	2 Bytes	u16	0x00, 0x01
	Register	1 Byte	u8	0x31
Response				
Modbus TCP Header	Transaction ID	2 Bytes	u16	0x00, 0x01
	Protocol	2 Bytes	u16	0x00, 0x02
	Length (parameter length+1)	2 Bytes	u16	0x00, 0x03
	Register	1 Byte	u8	0x31
Parameters	State	1 Byte	u8	0x00
	Parameter 1 0 - OFF; 1 - ON	1 Byte	u8	0x00

Set the state of the Reduced Mode				
Register: 50 (0x32)				
Request				
Modbus TCP Header	Transaction ID	2 Bytes	u16	0x00, 0x01
	Protocol	2 Bytes	u16	0x00, 0x02
	Length (parameter length+1)	2 Bytes	u16	0x00, 0x02
	Register	1 Byte	u8	0x32
Parameters	Parameter 1 0: turn off Reduced Mode 1: turn on Reduced Mode	1 Byte	u8	0x00
Response				
Modbus TCP Header	Transaction ID	2 Bytes	u16	0x00, 0x01
	Protocol	2 Bytes	u16	0x00, 0x02
	Length (parameter length+1)	2 Bytes	u16	0x00, 0x02
	Register	1 Byte	u8	0x32
Parameters	State	1 Byte	u8	0x00

51~100 Other Robotic Arm Function

Set the gravity direction				
Set the gravity direction for correct torque compensation and collision detection. After modification, it shall call the save_conf () function or refer to Register: 40(0x28) to save the setting, otherwise it will be invalid after the next restart.				
Register: 51 (0x33)				
Request				
Modbus TCP Header	Transaction ID	2 Bytes	u16	0x00, 0x01
	Protocol	2 Bytes	u16	0x00, 0x02
	Length (parameter length+1)	2 Bytes	u16	0x00, 0x0D
	Register	1 Byte	u8	0x33
Parameters	Parameter1 Gravity direction vector X=0 (base coordinate system)	4 Bytes	fp32	0x00, 0x00, 0x00, 0x00
	Parameter2 Gravity direction vector Y=0 (base coordinate system)	4 Bytes	fp32	0x00, 0x00, 0x00, 0x00
	Parameter3 Gravity direction vector Z=-1 (base coordinate system)	4 Bytes	fp32	0x00, 0x00, 0x80, 0xBF
Response				
Modbus TCP Header	Transaction ID	2 Bytes	u16	0x00, 0x01
	Protocol	2 Bytes	u16	0x00, 0x02
	Length (parameter length+1)	2 Bytes	u16	0x00, 0x02
	Register	1 Byte	u8	0x33
Parameters	State	1 Byte	u8	0x00

Set the safe boundary range				
C35 Set the boundary range of the safety fence in the three-dimensional space. If TCP of the robotic arm exceeds this boundary, error C35of the Control Box will be triggered.				
Register: 52 (0x34)				
Request				
Modbus TCP Header	Transaction ID	2 Bytes	u16	0x00, 0x01
	Protocol	2 Bytes	u16	0x00, 0x02
	Length (parameter length+1)	2 Bytes	u16	0x00, 0x19
	Register	1 Byte	u8	0x34
Parameters	Parameter1 Cartesian boundary value x+=600mm	4 Bytes	int32	0x58, 0x02, 0x00, 0x00

	Parameter2 Cartesian boundary value x--=200mm	4 Bytes	int32	0xC8, 0x00, 0x00, 0x00
	Parameter3 Cartesian boundary value y+ =500mm	4 Bytes	int32	0xF4, 0x01, 0x00, 0x00
	Parameter4 Cartesian boundary value y- =100mm	4 Bytes	int32	0x64, 0x00, 0x00, 0x00
	Parameter5 Cartesian boundary value z+=600mm	4 Bytes	int32	0x58, 0x02, 0x00, 0x00
	Parameter6 Cartesian boundary value z--=200mm	4 Bytes	int32	0xC8, 0x00, 0x00, 0x00
Response				
Modbus TCP Header	Transaction ID	2 Bytes	u16	0x00, 0x01
	Protocol	2 Bytes	u16	0x00, 0x02
	Length (parameter length+1)	2 Bytes	u16	0x00, 0x02
	Register	1 Byte	u8	0x34
Parameters	State	1 Byte	u8	0x00

Get all configurations of the Reduced Mode				
Register: 53 (0x35)				
Request				
Modbus TCP Header	Transaction ID	2 Bytes	u16	0x00, 0x01
	Protocol	2 Bytes	u16	0x00, 0x02
	Length (parameter length+1)	2 Bytes	u16	0x00, 0x01
	Register	1 Byte	u8	0x35
Response				
Modbus TCP Header	Transaction ID	2 Bytes	u16	0x00, 0x01
	Protocol	2 Bytes	u16	0x00, 0x02
	Length (parameter length+1)	2 Bytes	u16	0x00, 0x51
	Register	1 Byte	u8	0x35
Parameters	State	1 Byte	u8	0x00

	Parameter 1 (The state of Reduce mode: 0-OFF; 1-ON)	1 Byte	u8	0x00
	Parameters 2~7 Safety Boundary: [x_max, x_min, y_max, y_min, z_max, z_min] Unit:mm	2 Bytes*6	int16	
	Parameter 8 (max TCP speed=100mm/s)	4 Bytes	fp32	0x00, 0x00, 0xC8, 0x42
	Parameter 9 (max Joint speed=3.14 rad/s)	4 Bytes	fp32	0xC2, 0xF5, 0x48, 0x40
	Parameters 10~23 Joint range: [J1_min, J1_max, ..., J7_min, J7_max]	4 Bytes*14	fp32	
	Parameter 24 (The state of Safety Boundary: 0- OFF; 1-ON)	1 Byte	u8	0x00
	Parameter 25 (The state of Collision Rebound: 0- OFF; 1-ON)	1 Byte	u8	0x00

Get current joint torque of the servo				
Estimate the joint torque based on current and theoretical model, which is for reference only.				
Register: 55 (0x37)				
Request				
Modbus TCP Header	Transaction ID	2 Bytes	u16	0x00, 0x01
	Protocol	2 Bytes	u16	0x00, 0x02
	Length (parameter length+1)	2 Bytes	u16	0x00, 0x01
	Register	1 Byte	u8	0x37
Response				
Modbus TCP Header	Transaction ID	2 Bytes	u16	0x00, 0x01
	Protocol	2 Bytes	u16	0x00, 0x02
	Length	2 Bytes	u16	0x00, 0x1E
	Register	1 Byte	u8	0x37
Parameters	State	1 Byte	u8	0x00
	Parameter1 (Theoretical torque of joint1=0)	4 Bytes	fp32	0x00, 0x00, 0x00, 0x00

Parameter2 (Theoretical torque of joint2= -13.7 N.m)	4 Bytes	fp32	0x2A, 0xC5, 0x5B, 0xC1
Parameter3 (Theoretical torque of joint3= -6.17 N.m)	4 Bytes	fp32	0x79, 0xA4, 0xC5, 0xC0
Parameter4 (Theoretical torque of joint4=0)	4 Bytes	fp32	0x00, 0x00, 0x00, 0x00
Parameter5 (Theoretical torque of joint5=-1.83N.m)	4 Bytes	fp32	0x87, 0xA3, 0xE9, 0xBF
Parameter6 (Theoretical torque of joint6=0)	4 Bytes	fp32	0x00, 0x00, 0x00, 0x00
Parameter7 (Theoretical torque of joint7=0)	4 Bytes	fp32	0x00, 0x00, 0x00, 0x00

Set Joint Range Limit of Reduced Mode				
Register: 58 (0x3A)				
Request				
Modbus TCP Header	Transaction ID	2 Bytes	u16	0x00, 0x01
	Protocol	2 Bytes	u16	0x00, 0x02
	Length (parameter length+1)	2 Bytes	u16	0x00, 0x39
	Register	1 Byte	u8	0x3A
Parameters	Parameter 1, 2 (J1_min = -3.14rad, J1_max = 3.14rad)	4 Bytes*2	fp32	0xC2, 0xF5, 0x48, 0xC0; 0xC2, 0xF5, 0x48, 0x40
	Parameter 3, 4 (J2_min = -2.05rad, J2_max = 20.9rad)	4 Bytes*2	fp32	0x33, 0x33, 0x03, 0xC0; 0x8F, 0xC2, 0x05, 0x40
	Parameter 5, 6 (J3_min = -3.14rad, J3_max = 3.14rad)	4 Bytes*2	fp32	0xC2, 0xF5, 0x48, 0xC0; 0xC2, 0xF5, 0x48, 0x40
	Parameter 7, 8 (J4_min = -0.19rad, J4_max = 3.92rad)	4 Bytes*2	fp32	0x5C, 0x8F, 0x42, 0xBE; 0x47, 0xE1, 0x7A, 0x40
	Parameter 9, 10 (J5_min = -3.14rad, J5_max = 3.14rad)	4 Bytes*2	fp32	0xC2, 0xF5, 0x48, 0xC0; 0xC2, 0xF5, 0x48, 0x40

	Parameter 11, 12 (J6_min = -1.69rad, J6_max = 3.14rad)	4 Bytes*2	fp32	0xEB, 0x51, 0xD8, 0xBF; 0xC8, 0x00, 0x00, 0x00
	Parameter 13, 14 (J7_min = -3.14rad, J7_max = 3.14rad)	4 Bytes*2	fp32	0xC2, 0xF5, 0x48, 0xC0; 0xC2, 0xF5, 0x48, 0x40
Response				
Modbus TCP Header	Transaction ID	2 Bytes	u16	0x00, 0x01
	Protocol	2 Bytes	u16	0x00, 0x02
	Length (parameter length+1)	2 Bytes	u16	0x00, 0x02
	Register	1 Byte	u8	0x3A
Parameters	State	1 Byte	u8	0x00

Safety boundary start switch

Set the safety fence boundary validation switch in three-dimensional space. If the TCP of the robotic arm exceeds this boundary after validation, error C35 of the Control Box will be triggered.

Register: 59 (0x3B)				
Request				
Modbus TCP Header	Transaction ID	2 Bytes	u16	0x00, 0x01
	Protocol	2 Bytes	u16	0x00, 0x02
	Length (parameter length+1)	2 Bytes	u16	0x00, 0x02
	Register	1 Byte	u8	0x3B
Parameters	Parameter1 Validation switch 0: Turn off safety boundary detection 1: Turn on safety boundary detection	1 Byte	u8	0x00
Response				
Modbus TCP Header	Transaction ID	2 Bytes	u16	0x00, 0x01
	Protocol	2 Bytes	u16	0x00, 0x02
	Length (parameter length+1)	2 Bytes	u16	0x00, 0x02
	Register	1 Byte	u8	0x3B
Parameters	State	1 Byte	u8	0x00

Set the state of Collision Rebound				
Register: 60 (0x3C)				
Request				
Modbus TCP Header	Transaction ID	2 Bytes	u16	0x00, 0x01
	Protocol	2 Bytes	u16	0x00, 0x02
	Length (parameter length+1)	2 Bytes	u16	0x00, 0x02

	Register	1 Byte	u8	0x3C
Parameters	Parameter 1 (Collision Rebound switch 0-OFF; 1-ON)	1 Byte	u8	0x00
Response				
Modbus TCP Header	Transaction ID	2 Bytes	u16	0x00, 0x01
	Protocol	2 Bytes	u16	0x00, 0x02
	Length (parameter length+1)	2 Bytes	u16	0x00, 0x02
	Register	1 Byte	u8	0x3C
Parameters	State	1 Byte	u8	0x00

Start/Stop trajectory record				
Register: 61 (0x3D)				
Request				
Modbus TCP Header	Transaction ID	2 Bytes	u16	0x00, 0x01
	Protocol	2 Bytes	u16	0x00, 0x02
	Length (parameter length+1)	2 Bytes	u16	0x00, 0x02
	Register	1 Byte	u8	0x3D
Parameters	Parameter 1 (0-Stop trajectory record, 1-start trajectory record)	1 Byte	u8	0x00
Response				
Modbus TCP Header	Transaction ID	2 Bytes	u16	0x00, 0x01
	Protocol	2 Bytes	u16	0x00, 0x02
	Length (parameter length+1)	2 Bytes	u16	0x00, 0x02
	Register	1 Byte	u8	0x3D
Parameters	State	1 Byte	u8	0x00

Save recorded trajectory				
Register: 62 (0x3E)				
Request				
Modbus TCP Header	Transaction ID	2 Bytes	u16	0x00, 0x01
	Protocol	2 Bytes	u16	0x00, 0x02
	Length (parameter length+1)	2 Bytes	u16	0x00, 0x0A
	Register	1 Byte	u8	0x3E
Parameters	Parameter 1 Trajectory name (max length:80 Bytes) e. g. test.traj	n Byte	u8	0x74, 0x65, 0x73, 0x74, 0x2E, 0x74, 0x72, 0x61, 0x6A
Response				
Modbus TCP Header	Transaction ID	2 Bytes	u16	0x00, 0x01

	Protocol	2 Bytes	u16	0x00, 0x02
	Length (parameter length+1)	2 Bytes	u16	0x00, 0x02
	Register	1 Byte	u8	0x3E
Parameters	State	1 Byte	u8	0x00

Load recorded trajectory				
Register: 63 (0x3F)				
Request				
Modbus TCP Header	Transaction ID	2 Bytes	u16	0x00, 0x01
	Protocol	2 Bytes	u16	0x00, 0x02
	Length (parameter length+1)	2 Bytes	u16	0x00, 0x0A
	Register	1 Byte	u8	0x3F
Parameters	Parameter 1 Trajectory name (max length:80 Bytes) e. g. test.traj	n Byte	u8	0x74, 0x65, 0x73, 0x74, 0x2E, 0x74, 0x72, 0x61, 0x6A
Response				
Modbus TCP Header	Transaction ID	2 Bytes	u16	0x00, 0x01
	Protocol	2 Bytes	u16	0x00, 0x02
	Length (parameter length+1)	2 Bytes	u16	0x00, 0x02
	Register	1 Byte	u8	0x3F
Parameters	State	1 Byte	u8	0x00

Playback recorded trajectory				
Register: 64 (0x40)				
Request				
Modbus TCP Header	Transaction ID	2 Bytes	u16	0x00, 0x01
	Protocol	2 Bytes	u16	0x00, 0x02
	Length (parameter length+1)	2 Bytes	u16	0x00, 0x09
	Register	1 Byte	u8	0x40
Parameters	Parameter 1 Cycles of playback	4 Bytes	u32	0x00, 0x00, 0x00, 0x01
	Parameter 2 Playback speed 1: 1multiple 2: 2multiple 4: 4multiple	4 Bytes	u32	0x00, 0x00, 0x00, 0x01
Response				
Modbus TCP Header	Transaction ID	2 Bytes	u16	0x00, 0x01

	Protocol	2 Bytes	u16	0x00, 0x02
	Length (parameter length+1)	2 Bytes	u16	0x00, 0x02
	Register	1 Byte	u8	0x40
Parameters	State	1 Byte	u8	0x00

Get the state of recorded trajectory				
Register: 65 (0x41)				
Request				
Modbus TCP Header	Transaction ID	2 Bytes	u16	0x00, 0x01
	Protocol	2 Bytes	u16	0x00, 0x02
	Length (parameter length+1)	2 Bytes	u16	0x00, 0x01
	Register	1 Byte	u8	0x41
Response				
Modbus TCP Header	Transaction ID	2 Bytes	u16	0x00, 0x01
	Protocol	2 Bytes	u16	0x00, 0x02
	Length (parameter length+1)	2 Bytes	u16	0x00, 0x03
	Register	1 Byte	u8	0x41
Parameters	State	1 Byte	u8	0x00
	Parameter 1 0: no read/write 1: loading 2: load success 3: load failed 4: saving 5: save success 6: save failed	1 Byte	u8	0x00

Set allow to avoid overspeed near some singularities using approximate solutions				
Register: 66 (0x42)				
Request				
Modbus TCP Header	Transaction ID	2 Bytes	u16	0x00, 0x01
	Protocol	2 Bytes	u16	0x00, 0x02
	Length	2 Bytes	u16	0x00, 0x02

	Register	1 Byte	u8	0x42
Parameters	Parameter1 (allow or not) 0 allow 1 allow	1 Byte	u8	0x00
Response				
Modbus TCP Header	Transaction ID	2 Bytes	u16	0x00, 0x01
	Protocol	2 Bytes	u16	0x00, 0x02
	Length	2 Bytes	u16	0x00, 0x02
	Register	1 Byte	u8	0x42
Parameters	State	1 Byte	u8	0x00

Set the joint torque (theoretical) and current of servo correspond to the contents of reporting port 60~87 Bytes				
Register: 70 (0x46)				
Request				
Modbus TCP Header	Transaction ID	2 Bytes	u16	0x00, 0x01
	Protocol	2 Bytes	u16	0x00, 0x02
	Length	2 Bytes	u16	0x00, 0x02
	Register	1 Byte	u8	0x46
Parameters	Parameter1 (value of theoretical joint torque) 0: value of theoretical joint torque, unit : Nm 1: value of actual current of servo, unit : A	1 Byte	u8	0x00
Response				
Modbus TCP Header	Transaction ID	2 Bytes	u16	0x00, 0x01
	Protocol	2 Bytes	u16	0x00, 0x02
	Length	2 Bytes	u16	0x00, 0x02
	Register	1 Byte	u8	0x46
Parameters	State	1 Byte	u8	0x00

Sets the offset of the user coordinate system and the base coordinate system Sets the offset of the user coordinate system and the base coordinate system, specifically the offset described by the base coordinate system of the robotic arm under the user-defined coordinate system					
Register: 73 (0x49)					
Request					
Modbus TCP Header	Transaction ID		2 Bytes	u16	0x00, 0x01
	Protocol		2 Bytes	u16	0x00, 0x02
	Length (parameter length+1)		2 Bytes	u16	0x00, 0x19
	Register		1 Byte	u8	0x49
Parameters	Parameter1 (Cartesian offset X=400mm)		4 Bytes	fp32	0x00, 0x00, 0xC8, 0x43
	Parameter2 (Cartesian offset Y=0)		4 Bytes	fp32	0x00, 0x00, 0x00, 0x00
	Parameter3 (Cartesian offset Z=200mm)		4 Bytes	fp32	0x00, 0x00, 0x48, 0x43
	Parameter4 (Cartesian offset Roll= π rad)		4 Bytes	fp32	0xDB, 0x0F, 0x49, 0x40
	Parameter5 (Cartesian offset Pitch=0)		4 Bytes	fp32	0x00, 0x00, 0x00, 0x00
	Parameter6 (Cartesian offset Yaw=0)		4 Bytes	fp32	0x00, 0x00, 0x00, 0x00
Response					
Modbus TCP Header	Transaction ID		2 Bytes	u16	0x00, 0x01
	Protocol		2 Bytes	u16	0x00, 0x02
	Length (parameter length+1)		2 Bytes	u16	0x00, 0x02
	Register		1 Byte	u8	0x49
Parameters	State		1 Byte	u8	0x00

Calculate the attitude offset of two given points Given two coordinate points of the robotic arm, the offset coordinate between them can be calculated.					
Register: 76 (0x4C)					
Request					
Modbus TCP Header	Transaction ID		2 Bytes	u16	0x00, 0x01
	Protocol		2 Bytes	u16	0x00, 0x02
	Length (parameter length+1)		2 Bytes	u16	0x00, 0x33
	Register		1 Byte	u8	0x4C
Parameters	Point1	Parameter1 (X=400)	4 Bytes*6	fp32*6	0x00, 0x00, 0xC8, 0x43
		Parameter2 (Y=0)			0x00, 0x00, 0x00, 0x00

		Parameter3 (Z=200)			0x00, 0x00, 0x48, 0x43	
		Parameter4 (Roll= π)			0xDB, 0x0F, 0x49, 0x40	
		Parameter5 (Pitch=0)			0x00, 0x00, 0x00, 0x00	
		Parameter6 (Yaw=0)			0x00, 0x00, 0x00, 0x00	
	Point2		Parameter7 (X=400)	4 Bytes*6	fp32*6	0x00, 0x00, 0xC8, 0x43
			Parameter8 (Y=0)			0x00, 0x00, 0x00, 0x00
			Parameter9 (Z=100)			0x00, 0x00, 0xC8, 0x42
			Parameter10 (Roll= π)			0xDB, 0x0F, 0x49, 0x40
			Parameter11 (Pitch=0)			0x00, 0x00, 0x00, 0x00
			Parameter12 (Yaw=0)			0x00, 0x00, 0x00, 0x00
	Parameter13 (RPY) Representation of input pose: 0 : RPY (Roll, Pitch, Yaw) 1 : axial angle (Rx, Ry, Rz)		1 Byte		u8	0x00
	Parameter14 (RPY) Representation of output pose: 0 : RPY (Roll, Pitch, Yaw) 1 : axial angle (Rx, Ry, Rz)		1 Byte		u8	0x00
	Response					
	Modbus TCP Header	Transaction ID		2 Bytes	u16	0x00, 0x01
Protocol		2 Bytes	u16	0x00, 0x02		
Length (parameter length+1)		2 Bytes	u16	0x00, 0x1A		
Register		1 Byte	u8	0x4C		
Parameters	State		1 Byte	u8	0x00	
	Parameter1 (Cartesian offset X=0)		4 Bytes	fp32	0x00, 0x00, 0x00, 0x00	
	Parameter1 (Cartesian offset Y=0)		4 Bytes	fp32	0x00, 0x00, 0x00, 0x00	
	Parameter1 (Cartesian offset Z=-100mm)		4 Bytes	fp32	0x00, 0x00, 0xC8, 0xC2	
	Parameter1 (Cartesian offset Roll=-0)		4 Bytes	fp32	0x00, 0x00, 0x80, 0x99	
	Parameter1 (Cartesian offset Pitch=-0)		4 Bytes	fp32	0x00, 0x00, 0x00, 0x80	
	Parameter1 (Cartesian offset Yaw=0)		4 Bytes	fp32	0x00, 0x00, 0x00, 0x00	

Set the self-collision detection function of the robotic arm (/the end tools)					
Register: 77 (0x4D)					
Request					
Modbus TCP Header	Transaction ID		2 Bytes	u16	0x00, 0x01
	Protocol		2 Bytes	u16	0x00, 0x02

	Length	2 Bytes	u16	0x00, 0x02
	Register	1 Byte	u8	0x4D
Parameters	Parameter 1 (turn on self-collision detection) 0: turn off self-collision detection 1: turn on self-collision detection	1 Byte	u8	0x01
Response				
Modbus TCP Header	Transaction ID	2 Bytes	u16	0x00, 0x01
	Protocol	2 Bytes	u16	0x00, 0x02
	Length	2 Bytes	u16	0x00, 0x02
	Register	1 Byte	u8	0x4D
Parameters	State	1 Byte	u8	0x00

The geometric model of the end tool added when setting the self-collision detection				
Register: 78 (0x4E)				
Request				
Modbus TCP Header	Transaction ID	2 Bytes	u16	0x00, 0x01
	Protocol	2 Bytes	u16	0x00, 0x02
	Length	2 Bytes	u16	0x00, 0x0E (2+x*4)
	Register	1 Byte	u8	0x4E
Parameters	<p>Parameter 1 (The end tool is a cuboid) x=20, y=30, z=50</p> <p>Additional definition parameter area: x maximum is 6, the actual length depends on the number of parameters required by the tool type definition. If there is no parameter, there is no data here.</p> <p>End tool type: 1) Custom detection model (additional parameters are required): *Cylinder: Additional definition parameters are: radius (mm), height (mm) *Cuboid: Additional definition parameters are: length[x(mm)] , width[y(mm)], height[z(mm)] consistent with the direction of the default TCP coordinate system.</p>	12Bytes (x*4 Byte)	3*fp32 (x*fp32)	0x00, 0x00, 0xA0, 0x41 0x00, 0x00, 0xF0, 0x41 0x00, 0x00, 0x48, 0x42

	2) Supported detection models (no need to define additional parameters): No end tool, xArm gripper, xArm vacuum gripper, xArm BIO gripper, Robotiq 2F-85 gripper, Robotiq 2F-140 gripper.			
	Parameter 2 (end tool type number = 22) End tool type number: 1) Custom detection models (additional parameters are required): Cylinder: 21 Cuboid: 22 2) Supported detection models (no need to define additional parameters): No end tools: 0 xArm gripper: 1 xArm vacuum gripper: 2 xArm BIO gripper: 3 Robotiq 2F-85 gripper: 4 Robotiq 2F-140 gripper: 5	1 Byte	u8	0x16
Response				
Modbus TCP Header	Transaction ID	2 Bytes	u16	0x00, 0x01
	Protocol	2 Bytes	u16	0x00, 0x02
	Length	2 Bytes	u16	0x00, 0x02
	Register	1 Byte	u8	0x4E
Parameters	State	1 Byte	u8	0x00

Set whether to enable the virtual robotic arm mode				
If you enter the virtual robotic arm mode, the real robotic arm will not move, but the reported position of the robotic arm will change with the command to drive the virtual robotic arm to move.				
Register: 79 (0x4F)				
Request				
Modbus TCP Header	Transaction ID	2 Bytes	u16	0x00, 0x01
	Protocol	2 Bytes	u16	0x00, 0x02
	Length	2 Bytes	u16	0x00, 0x02
	Register	1 Byte	u8	0x4F
Parameters	Parameter 1 (the virtual robotic arm mode) 0: the real robotic arm mode 1: the virtual robotic arm mode	1 Byte	u8	0x01
Response				
Modbus TCP Header	Transaction ID	2 Bytes	u16	0x00, 0x01
	Protocol	2 Bytes	u16	0x00, 0x02

	Length	2 Bytes	u16	0x00, 0x02
	Register	1 Byte	u8	0x4F
Parameters	State	1 Byte	u8	0x00

Global setting for Cartesian motion velocity continuous				
Register: 80 (0x50)				
Request				
Modbus TCP Header	Transaction ID	2 Bytes	u16	0x00, 0x01
	Protocol	2 Bytes	u16	0x00, 0x02
	Length	2 Bytes	u16	0x00, 0x02
	Register	1 Byte	u8	0x50
Parameters	Parameters1 (allow or not) 0 speed discontinuity, default 1 speed continuous	1 Byte	u8	0x00
Response				
Modbus TCP Header	Transaction ID	2 Bytes	u16	0x00, 0x01
	Protocol	2 Bytes	u16	0x00, 0x02
	Length	2 Bytes	u16	0x00, 0x02
	Register	1 Byte	u8	0x50
Parameters	State	1 Byte	u8	0x00

Joint velocity control
Set joint target speed, for Joint speed control mode-mode 4

Register: 81 (0x51)				
Request				
Modbus TCP Header	Transaction ID	2 Bytes	u16	0x00, 0x01
	Protocol	2 Bytes	u16	0x00, 0x02
	Length	2 Bytes	u16	0x00, 0x02
	Register	1 Byte	u8	0x51
Parameters	Parameter 1 (Joint 1 target speed: $\pi/6$ rad/s)	4 Bytes	fp32	0x91, 0x0A, 0x06, 0x3F
	Parameter 2 (Joint 2 target speed: -0.1 rad/s)	4 Bytes	fp32	0xCC, 0xCC, 0xCC, 0xBD
	Parameter 3 (Joint 3 target speed: 0 rad/s)	4 Bytes	fp32	0x00, 0x00, 0x00, 0x00
	Parameter 4 (Joint 4 target speed: 0 rad/s)	4 Bytes	fp32	0x00, 0x00, 0x00, 0x00
	Parameter 5 (Joint 5 target speed: 0 rad/s)	4 Bytes	fp32	0x00, 0x00, 0x00, 0x00
	Parameter 6 (Joint 6 target speed: 0 rad/s)	4 Bytes	fp32	0x00, 0x00, 0x00, 0x00
	Parameter 7 (Joint 7 target speed: 0 rad/s)	4 Bytes	fp32	0x00, 0x00, 0x00, 0x00
	Parameter 8 (whether all joints accelerate and decelerate synchronously: 1-True)	1 Byte	u8	0x01
	Parameter 9 (duration: 0.2s)	4 Bytes	fp32	0xCC, 0xCC, 0x4C, 0x3E
Response				
Modbus TCP Header	Transaction ID	2 Bytes	u16	0x00, 0x01
	Protocol	2 Bytes	u16	0x00, 0x02
	Length	2 Bytes	u16	0x00, 0x02
	Register	1 Byte	u8	0x51
Parameters	State	1 Byte	u8	0x00

Cartesian velocity control				
Set target cartesian linear velocity and angular velocity, for cartesian velocity control mode-mode 5				
Register: 82 (0x52)				
Request				

Modbus TCP Header	Transaction ID	2 Bytes	u16	0x00, 0x01
	Protocol	2 Bytes	u16	0x00, 0x02
	Length	2 Bytes	u16	0x00, 0x1E
	Register	1 Byte	u8	0x52
Parameters	Parameter 1 (Cartesian linear velocity: $V_x = 30$ mm/s)	4 Bytes	fp32	0x00, 0x00, 0xF0, 0x41
	Parameter 2 (Cartesian linear velocity: $V_y = 0$ mm/s)	4 Bytes	fp32	0x00, 0x00, 0x00, 0x00
	Parameter 3 (Cartesian linear velocity: $V_z = 20$ mm/s)	4 Bytes	fp32	0x00, 0x00, 0xA0, 0x41
	Parameter 4 (Cartesian angular velocity: $\omega_x = \pi/6$ rad/s)	4 Bytes	fp32	0x91, 0x0A, 0x06, 0x3F
	Parameter 5 (Cartesian angular velocity: $\omega_y = 0$ rad/s)	4 Bytes	fp32	0x00, 0x00, 0x00, 0x00
	Parameter 6 (Cartesian angular velocity $\omega_z = 0$ rad/s)	4 Bytes	fp32	0x00, 0x00, 0x00, 0x00
	Parameter 7 (is tool coordinate or not: 0-base coordinate)	1 Bytes	u8	0x00
	Parameter 8 (duration: 0.2s)	4 Bytes	fp32	0xCC, 0xCC, 0x4C, 0x3E
Response				
Modbus TCP Header	Transaction ID	2 Bytes	u16	0x00, 0x01
	Protocol	2 Bytes	u16	0x00, 0x02
	Length	2 Bytes	u16	0x00, 0x02
	Register	1 Byte	u8	0x52
Parameters	State	1 Byte	u8	0x00

Relative motion control
Register: 83 (0x53)
Request

Modbus TCP Header	Transaction ID	2 Bytes	u16	0x00, 0x01
	Protocol	2 Bytes	u16	0x00, 0x02
	Length	2 Bytes	u16	0x00, 0x1E
	Register	1 Byte	u8	0x53
Parameter	Parameter1 TCP control, Parameter is X (mm) Joint control, Parameter is J1 (rad)	4 Bytes	fp32	0x00, 0x00, 0x00, 0x00
	Parameter2 TCP control, Parameter is y (mm) Joint control, Parameter is J2 (rad)	4 Bytes	fp32	0x00, 0x00, 0x00, 0x00
	Parameter3 TCP control, Parameter is z (mm) Joint control, Parameter is J3 (rad)	4 Bytes	fp32	0x00, 0x00, 0x00, 0x00
	Parameter4 TCP control, Parameter is roll (rad) Joint control, Parameter is J4 (rad)	4 Bytes	fp32	0x00, 0x00, 0x00, 0x00
	Parameter5 TCP control, Parameter is pitch (rad) Joint control, Parameter is J5 (rad)	4 Bytes	fp32	0x00, 0x00, 0x00, 0x00
	Parameter6 TCP control, Parameter is yaw (rad) Joint control, Parameter is J6 (rad)	4 Bytes	fp32	0x00, 0x00, 0x00, 0x00

	Parameter7 TCP control, Parameter is meaningless Joint control, Parameter is J7 (rad)	4 Bytes	fp32	0x00, 0x00, 0x00, 0x00
	Parameter8 speed(mm/s, rad/s)	4 Bytes	fp32	0x00, 0x00, 0x00, 0x00
	Parameter9 acceleration(mm/s ² , rad/s ²)	4 Bytes	fp32	0x00, 0x00, 0x00, 0x00
	Parameter10 move time (useless, just 0)	4 Bytes	fp32	0x00, 0x00, 0x00, 0x00
	Parameter11 radius (mm)	4 Bytes	fp32	0x00, 0x00, 0x00, 0x00
	Parameter12 TCP or Joint 0: TCP 1: Joint	1 Byte	u8	0x00
	Parameter13 RPY control, only in TCP control (Parameter12 is 0) 0: RPY control 1: Angle control	1 Bytes	u8	0x00
Response				
Modbus TCP Header	Transaction ID	2 Bytes	u16	0x00, 0x01
	Protocol	2 Bytes	u16	0x00, 0x02
	Length	2 Bytes	u16	0x00, 0x02
	Register	1 Byte	u8	0x53
Parameter	State	1 Byte	u8	0x00

Get the attitude represented by the axis angle attitude Get the current TCP pose, and use the axial angle to represent the pose of the robotic arm.				
Register: 91 (0x5B)				
Request				
Modbus TCP Header	Transaction ID	2 Bytes	u16	0x00, 0x01
	Protocol	2 Bytes	u16	0x00, 0x02
	Length (parameter length+1)	2 Bytes	u16	0x00, 0x01
	Register	1 Byte	u8	0x5B
Response				
Modbus TCP Header	Transaction ID	2 Bytes	u16	0x00, 0x01
	Protocol	2 Bytes	u16	0x00, 0x02
	Length (parameter length+1)	2 Bytes	u16	0x00, 0x1A
	Register	1 Byte	u8	0x5B
Parameters	State	1 Byte	u8	0x00
	Parameter1 (Current Cartesian coordinate X=300mm)	4 Bytes	fp32	0x00, 0x00, 0x96, 0x43
	Parameter2 (Current Cartesian coordinate Y=0)	4 Bytes	fp32	0x00, 0x00, 0x00, 0x00
	Parameter3 (Current Cartesian coordinate Z=150mm)	4 Bytes	fp32	0x00, 0x00, 0x16, 0x43
	Parameter4 (Current Cartesian coordinate $R_x = \pi$ rad)	4 Bytes	fp32	0xDB, 0x0F, 0x49, 0x40
	Parameter5 (Current Cartesian coordinate $R_y = 0$)	4 Bytes	fp32	0x00, 0x00, 0x00, 0x00
	Parameter6 (Current Cartesian coordinate $R_z = 0$)	4 Bytes	fp32	0x00, 0x00, 0x00, 0x00

Linear motion with axis angle attitude as target
When planning a linear motion, the target pose is expressed in terms of axial angles, which supports the absolute target pose/relative target pose, as well as the motion options of the base coordinate system/tool coordinate system.

Register: 92 (0x5C)				
Request				
Modbus TCP Header	Transaction ID	2 Bytes	u16	0x00, 0x01
	Protocol	2 Bytes	u16	0x00, 0x02
	Length (parameter length+1)	2 Bytes	u16	0x00, 0x27
	Register	1 Byte	u8	0x5C
Parameters	Parameter1 (X=300mm)	4 Bytes	fp32	0x00, 0x00, 0x96,
	Parameter2 (Y=0)	4 Bytes	fp32	0x00, 0x00, 0x00,
	Parameter3 (Z=150mm)	4 Bytes	fp32	0x00, 0x00, 0x16,
	Parameter4 (Rx= π rad)	4 Bytes	fp32	0xDB, 0x0F, 0x49,
	Parameter5 (Ry=0)	4 Bytes	fp32	0x00, 0x00, 0x00,
	Parameter6 (Rz=0)	4 Bytes	fp32	0x00, 0x00, 0x00,
	Parameter7 (motion speed=200 mm/s)	4 Bytes	fp32	0x00, 0x00, 0x48,
	Parameter8 (acceleration=2000mm/s ²)	4 Bytes	fp32	0x00, 0x00, 0xFA,
	Parameter9 (motion time, 0)	4 Bytes	fp32	0x00, 0x00, 0x00,
	Parameter10 (base coordinate system motion) Motion coordinate system: 0: the base coordinate system motion 1: the tool coordinate system motion	1 Byte	u8	0x00
Parameter11 (absolute pose) If the motion coordinate system is the base coordinate system. 0 represents the given pose is an absolute pose 1 represents the given pose is a relative pose (the given parameters 1-6 coordinates are based on the current an offset of position)	1 Byte	u8	0x00	
Response				
Modbus TCP Header	Transaction ID	2 Bytes	u16	0x00, 0x01
	Protocol	2 Bytes	u16	0x00, 0x02
	Length (parameter length+1)	2 Bytes	u16	0x00, 0x04
	Register	1 Byte	u8	0x5C
Parameters	Parameter1 (Number of commands in the buffer)	2 Bytes	u16	0x00, 0x01

Servo_cartesian motion (axis angle)				
An interface for receiving high-frequency continuous Cartesian trajectory motion, and the posture is represented by the axis angle.				
Register: 93 (0x5D)				
Request				
Modbus TCP Header	Transaction ID	2 Bytes	u16	0x00, 0x01
	Protocol	2 Bytes	u16	0x00, 0x02

	Length (parameter length+1)	2 Bytes	u16	0x00, 0x26
	Register	1 Byte	u8	0x5D
Parameters	Parameter1 (X=300mm)	4 Bytes	fp32	0x00, 0x00, 0x96, 0x43
	Parameter2 (Y=0)	4 Bytes	fp32	0x00, 0x00, 0x00, 0x00
	Parameter3 (Z=150mm)	4 Bytes	fp32	0x00, 0x00, 0x16, 0x43
	Parameter4 (Rx= π rad)	4 Bytes	fp32	0xdb, 0x0f, 0x49, 0x40
	Parameter5 (Ry=0)	4 Bytes	fp32	0x00, 0x00, 0x00, 0x00
	Parameter6 (Rz=0)	4 Bytes	fp32	0x00, 0x00, 0x00, 0x00
	Parameter7 (motion speed=200mm/s)	4 Bytes	fp32	0x00, 0x00, 0x48, 0x43
	Parameter8 (acceleration=2000mm/s ²)	4 Bytes	fp32	0x00, 0x00, 0xFA, 0x44
	Parameter9 (base coordinate system motion) Motion coordinate system: 0: the base coordinate system motion 1: the tool coordinate system motion	4 Bytes	fp32	0x00, 0x00, 0x00, 0x00
	Parameter10 (absolute pose) If the motion coordinate system is the base coordinate system. 0 represents the given pose is an absolute pose 1 represents the given pose is a relative pose (the given parameters 1-6 coordinates are based on the current an offset of position)	1 Byte	u8	0x00
Response				
Modbus TCP Header	Transaction ID	2 Bytes	u16	0x00, 0x01
	Protocol	2 Bytes	u16	0x00, 0x02
	Length (parameter length+1)	2 Bytes	u16	0x00, 0x02
	Register	1 Byte	u8	0x5D
Parameters	State	1 Byte	u8	0x00

101~115 Servo Module

Get the state of the current robotic arm servo				
Register: 106 (0x6A)				
Request				
Modbus TCP Header	Transaction ID	2 Bytes	u16	0x00, 0x01
	Protocol	2 Bytes	u16	0x00, 0x02
	Length (parameter length+1)	2 Bytes	u16	0x00, 0x01
	Register	1 Byte	u8	0x6A
Response				
Modbus TCP Header	Transaction ID	2 Bytes	u16	0x00, 0x01
	Protocol	2 Bytes	u16	0x00, 0x02
	Length (parameter length+1)	2 Bytes	u16	0x00, 0x13

	Register	1 Byte	u8	0x6A
Parameters	Parameter1 (Normal) Commands execution state: 0: Normal 1: The server has error message 3: Communication fail	1 Byte	u8	0x00
	Parameter2 (Joint1 servo state)	1 Byte	u8	0x00
	Parameter3 (Joint1 servo error code=Normal)	1 Byte	u8	0x00
	Parameter4 (Joint2 servo state=Normal)	1 Byte	u8	0x00
	Parameter5 (Joint2 servo error code=Normal)	1 Byte	u8	0x00
	Parameter6 (Joint3 servo state=Normal)	1 Byte	u8	0x00
	Parameter7 (Joint3 servo error code=Normal)	1 Byte	u8	0x00
	Parameter8 (Joint4 servo state=Normal)	1 Byte	u8	0x00
	Parameter9 (Joint4 servo error code=Normal)	1 Byte	u8	0x00
	Parameter10 (Joint5 servo state=Normal)	1 Byte	u8	0x00
	Parameter11 (Joint5 servo error code=Normal)	1 Byte	u8	0x00
	Parameter12 (Joint6 servo state=Normal)	1 Byte	u8	0x00
	Parameter13 (Joint6 servo error code=Normal)	1 Byte	u8	0x00
	Parameter14 (Joint7 servo state=Normal)	1 Byte	u8	0x00
	Parameter15 (Joint7 servo error code=Normal)	1 Byte	u8	0x00
	Parameter16 (Gripper servo state=Normal)	1 Byte	u8	0x00
	Parameter17 (Gripper servo error code=Normal)	1 Byte	u8	0x00

115 Joint friction identification

Start the joint friction identification process (recommended to use the Studio)
Register: 115 (0x73)
Request

Modbus TCP Header	Transaction ID	2 Bytes	u16	0x00, 0x01
	Protocol	2 Bytes	u16	0x00, 0x02
	Length	2 Bytes	u16	0x00, 0x0F
	Register	1 Byte	u8	0x73
Parameters	Parameters1: The serial number of the xArm to be identified (E. g: XI120307201L1 B) Refer to ASCII code	14 Bytes	u8	0x58, 0x49, 0x31, 0x32, 0x30, 0x33, 0x30, 0x37, 0x32, 0x30, 0x31, 0x4C, 0x31, 0x42
Response				
Modbus TCP Header	Transaction ID	2 Bytes	u16	0x00, 0x01
	Protocol	2 Bytes	u16	0x00, 0x02
	Length	2 Bytes	u16	0x00, 0x06
	Register	1 Byte	u8	0x73

	State	1 Byte	u8	0x00
Parameters	Parameters1: Identification status 0.0: Identify success -1.0: Identify failed	4 Bytes	fp3 2	0x00, 0x00, 0x00, 0x00

2.1.4. Register (Peripherals Control through Robot IOs)

124: Gripper Module

Enable/Disable the gripper (0x7C)

Set the gripper mode (0x7C)

Set the gripper speed (0x7C)

Set the gripper position (0x7C)

Get the gripper position (0x7C)

Get the gripper error (0x7C)

Clear the gripper error (0x7C)

124~127: RS485 Control on the End-effector

Set the end RS485 baud rate(0x7F)

127~128: IO Control on the End-effector

IO control on the End-effector (0x7F)

Get the input of the end digital quantity (0x80)

Get the input of the end analog (0x80)

130~141: IO Control on the Control Box

Get configurable digital gpio input (0x83)

Get analog input AI1 (0x84)

Get analog input AI2 (0x85)

Set configurable digital gpio output (0x86)

Set the analog output A01 (0x87)

Set the analog output A02 (0x88)

Configuring digital input IO Function (0x89)

Configuring digital output IO Function (0x8A)

Get GPIO state (0x8B)

142~146: Special IO Commands

Operation of general digital IO delay output of control box (0x8E)

Operation of the end general digital IO delay output (0x8F)

Operation triggered by the position of the general digital IO of the control box (0x90)

Operation triggered by the position of the end general digital IO (0x91)

Whether the control box and terminal IO are automatically cleared in the STOP state (0x92)

Operation triggered by the position of the general Analog IO of the control box (0x93)

200~212: 6 Axis Force Torque Sensor

Get external force detection data of 6 Axis Force Torque Sensor (0xC8)

Enable/Disable 6 Axis Force Torque Sensor (0xC9)

Set the control mode of 6 Axis Force Torque Sensor (0xCA)

Get the control mode of 6 Axis Force Torque Sensor (0xCB)

Perform end payload identification (0xCC)

Set the payload and offset of 6 Axis Force Torque Sensor (0xCD)

Set the current state as the zero point of 6 Axis Force Torque Sensor (0xCE)

Set all impedance control parameters of 6 Axis Force Torque Sensor (0xCF)

Set PID parameter of 6 Axis Force Torque Sensor (0xD0)

Set force control parameter of 6 Axis Force Torque Sensor (0xD1)

Set MKB parameter under impedance control mode of 6 Axis Force Torque Sensor (0xD2)

Set impedance control parameter of 6 Axis Force Torque Sensor (0xD3)

Get all feedback data of 6 Axis Force Torque Sensor (0xD4)

124 Gripper Module

xArm Gripper fixed parameter explanation:

Parameter	Host ID	Gripper ID	Function Code
Length	1Byte	1Byte	1Byte
Fixed Value	0x09	0x08	0x10

Note:

1. If it is a third-party gripper, the gripper ID and function code are different from the fixed values above.
2. Gripper control is based on RS485 port on the end-effector.

Enable/ Disable the gripper			
Register: 124 (0x7C)			
Request			
Modbus TCP Header	Transaction Identifier	2 Bytes	0x00, 0x01
	Protocol	2 Bytes	0x00, 0x02
	Length	2 Bytes	0x00, 0x0B
	Register	1 Byte	0x7C
Internal Use	Host ID	1 Byte	0x09
Modbus RTU Data	Gripper ID	1 Byte	0x08
	Function Code	1 Byte	0x10
	Register Starting Address	2 Bytes	0x01, 0x00
	Quantity of Registers	2 Bytes	0x00, 0x01
	Byte Count	1 Byte	0x02
	Register (Enable gripper)	2 Bytes	0x00, 0x01
Response			
Modbus TCP Header	Transaction Identifier	2 Bytes	0x00, 0x01
	Protocol	2 Bytes	0x00, 0x02
	Length	2 Bytes	0x00, 0x09
	Register	1 Byte	0x7C
Parameters	Sate	1 Byte	0x00
Internal Use	Host ID	1 Byte	0x09
Modbus RTU Data	Gripper ID	1 Byte	0x08
	Function Code	1 Byte	0x10
	Register Starting Address	2 Bytes	0x01, 0x00
	Quantity of Registers	2 Bytes	0x00, 0x01

Set the gripper mode			
Register: 124 (0x7C)			

Request			
Modbus TCP Header	Transaction Identifier	2 Bytes	0x00, 0x01
	Protocol	2 Bytes	0x00, 0x02
	Length	2 Bytes	0x00, 0x0B
	Register	1 Byte	0x7C
Internal Use	Host ID	1 Byte	0x09
Modbus RTU Data	Gripper ID	1 Byte	0x08
	Function Code	1 Byte	0x10
	Register Starting Address	2 Bytes	0x01, 0x01
	Quantity of Registers	2 Bytes	0x00, 0x01
	Byte Count	1 Byte	0x02
	Data		
	0: Position mode	2 Bytes	0x00, 0x00
	1: Speed mode		
Response			
Modbus TCP Header	Transaction Identifier	2 Bytes	0x00, 0x01
	Protocol	2 Bytes	0x00, 0x02
	Length	2 Bytes	0x00, 0x09
	Register	1 Byte	0x7C
Parameters	Sate	1 Byte	0x00
Internal Use	Host ID	1 Byte	0x09
Modbus RTU Data	Gripper ID	1 Byte	0x08
	Function Code	1 Byte	0x10
	Register Starting Address	2 Bytes	0x01, 0x00
	Quantity of Registers	2 Bytes	0x00, 0x01

Set the gripper speed			
Register: 124 (0x7C)			
Request			
Modbus TCP Header	Transaction Identifier	2 Bytes	0x00, 0x01
	Protocol	2 Bytes	0x00, 0x02
	Length	2 Bytes	0x00, 0x0B
	Register	1 Byte	0x7C
Internal Use	Host ID	1 Byte	0x09
Modbus RTU Data	Gripper ID	1 Byte	0x08
	Function Code	1 Byte	0x10
	Register Starting Address	2 Bytes	0x03, 0x03
	Quantity of Registers	2 Bytes	0x00, 0x01
	Byte Count	1 Byte	0x02
	Register		
	(Setting the speed to	2 Bytes	0x05, 0xDC

	1500r/min)		
Response			
Modbus TCP Header	Transaction Identifier	2 Bytes	0x00, 0x01
	Protocol	2 Bytes	0x00, 0x02
	Length	2 Bytes	0x00, 0x09
	Register	1 Byte	0x7C
Parameters	Sate	1 Byte	0x00
Internal Use	Host ID	1 Byte	0x09
Modbus RTU Data	Gripper ID	1 Byte	0x08
	Function Code	1 Byte	0x10
	Register Starting Address	2 Bytes	0x03, 0x03
	Quantity of Registers	2 Bytes	0x00, 0x01

Set the gripper position			
Register: 124 (0x7C)			
Request			
Modbus TCP Header	Transaction Identifier	2 Bytes	0x00, 0x01
	Protocol	2 Bytes	0x00, 0x02
	Length	2 Bytes	0x00, 0x0D
	Register	1 Byte	0x7C
Internal Use	Host ID	1 Byte	0x09
Modbus RTU Data	Gripper ID	1 Byte	0x08
	Function Code	1 Byte	0x10
	Register Starting Address	2 Bytes	0x07, 0x00
	Quantity of Registers	2 Bytes	0x00, 0x02
	Byte Count	1 Byte	0x04
	Register (Gripper position=400)	4 Bytes	0x00, 0x00, 0x01, 0x90
Response			
Modbus TCP Header	Transaction Identifier	2 Bytes	0x00, 0x01
	Protocol	2 Bytes	0x00, 0x02
	Length	2 Bytes	0x00, 0x09
	Register	1 Byte	0x7C
Parameters	Sate	1 Byte	0x00
Internal Use	Host ID	1 Byte	0x09
Modbus RTU Data	Gripper ID	1 Byte	0x08
	Function Code	1 Byte	0x10
	Register Starting Address	2 Bytes	0x07, 0x00
	Quantity of Registers	2 Bytes	0x00, 0x02

Get the gripper position			
---------------------------------	--	--	--

Register: 124 (0x7C)			
Request			
Modbus TCP Header	Transaction Identifier	2 Bytes	0x00, 0x01
	Protocol	2 Bytes	0x00, 0x02
	Length	2 Bytes	0x00, 0x08
	Register	1 Byte	0x7C
Internal Use	Host ID	1 Byte	0x09
Modbus RTU Data	Gripper ID	1 Byte	0x08
	Function Code	1 Byte	0x10
	Register Starting Address	2 Bytes	0x07, 0x02
	Quantity of Registers	2 Bytes	0x00, 0x02
Response			
Modbus TCP Header	Transaction Identifier	2 Bytes	0x00, 0x01
	Protocol	2 Bytes	0x00, 0x02
	Length	2 Bytes	0x00, 0x09
	Register	1 Byte	0x7C
Parameters	Sate	1 Byte	0x00
Internal Use	Host ID	1 Byte	0x09
Modbus RTU Data	Gripper ID	1 Byte	0x08
	Function Code	1 Byte	0x10
	Register Starting Address	2 Bytes	0x07, 0x02
	Quantity of Registers	2 Bytes	0x00, 0x02

Get the gripper error			
Register: 124 (0x7C)			
Request			
Modbus TCP Header	Transaction Identifier	2 Bytes	0x00, 0x01
	Protocol	2 Bytes	0x00, 0x02
	Length	2 Bytes	0x00, 0x08
	Register	1 Byte	0x7C
Internal Use	Host ID	1 Byte	0x09
Modbus RTU Data	Gripper ID	1 Byte	0x08
	Function Code	1 Byte	0x03
	Register Starting Address	2 Bytes	0x00, 0x0F
	Quantity of Registers	2 Bytes	0x00, 0x01
Response			
Modbus TCP Header	Transaction Identifier	2 Bytes	0x00, 0x01
	Protocol	2 Bytes	0x00, 0x02
	Length	2 Bytes	0x00, 0x08
	Register	1 Byte	0x7C
Parameters	Sate	1 Byte	0x00
Internal Use	Host ID	1 Byte	0x09

Modbus RTU Data	Gripper ID	1 Byte	0x08
	Function Code	1 Byte	0x03
	Byte Count	1 Byte	0x02
	Register Data (No Error)	2 Bytes	0x00, 0x00

Clear the gripper error			
Register: 124 (0x7C)			
Request			
Modbus TCP Header	Transaction Identifier	2 Bytes	0x00, 0x01
	Protocol	2 Bytes	0x00, 0x02
	Length	2 Bytes	0x00, 0x0B
	Register	1 Byte	0x7C
Internal Use	Host ID	1 Byte	0x09
Modbus RTU Data	Gripper ID	1 Byte	0x08
	Function Code	1 Byte	0x10
	Register Starting Address	2 Bytes	0x01 0x09
	Quantity of Registers	2 Bytes	0x00 0x01
	Byte Count	1 Byte	0x02
	Register	2 Bytes	0x00 0x01
Response			
Modbus TCP Header	Transaction Identifier	2 Bytes	0x00, 0x01
	Protocol	2 Bytes	0x00, 0x02
	Length	2 Bytes	0x00, 0x09
	Register	1 Byte	0x7C
Parameters	Sate	1 Byte	0x00
Internal Use	Host ID	1 Byte	0x09
Modbus RTU Data	Gripper ID	1 Byte	0x08
	Function Code	1 Byte	0x10
	Register Starting Address	2 Bytes	0x01, 0x09
	Quantity of Registers	2 Bytes	0x00, 0x01

124~127: RS485 Control on the End-effector

Set the end RS485 band rate				
Register: 127 (0x7F)				
Request				
Modbus TCP Header	Transaction Identifier	2 Bytes	u16	0x00, 0x01
	Protocol	2 Bytes	u16	0x00, 0x02
	Length	2 Bytes	u16	0x00, 0x08
	Register	1 Byte	u8	0x7F

Parameters	Host ID	1 Byte	u8	0x09
	Address	2 Bytes	u16	0x1A, 0x0B
	Parameter1 (2000000bps) 0:4800 bps; 1:9600bps; 2:19200bps; 3:38400bps; 4:57600bps; 5:115200bps 6:230400bps; 7: 460800bps; 8:921600bps; 9: 1000000bps; 10:1500000bps; 11:2000000bps; 12:2500000bps;	4 Bytes	fp32	0x00, 0x00, 0x30, 0x41
Response				
Modbus TCP Header	Transaction Identifier	2 Bytes	u16	0x00, 0x01
	Protocol	2 Bytes	u16	0x00, 0x02
	Length	2 Bytes	u16	0x00, 0x01
	Register	1 Byte	u8	0x7F

127~128: IO Control on the End-effector

IO control on the End-effector				
Register: 127 (0x7F)				
Request				
Modbus TCP Header	Transaction Identifier	2 Bytes	u16	0x00, 0x01
	Protocol	2 Bytes	u16	0x00, 0x02
	Length	2 Bytes	u16	0x00, 0x08
	Register	1 Byte	u8	0x7F
Parameters	Host ID	1 Byte	u8	0x09
	Address	2 Bytes	u16	0x0A, 0x15
	Parameters1 (Open 0) Data: 256.0: Close 0 257.0: Open 512.0: Close 1 514: Open 1	4 Bytes	fp32	0x00, 0x80, 0x80, 0x43
Response				
Modbus TCP Header	Transaction Identifier	2 Bytes	u16	0x00, 0x01
	Protocol	2 Bytes	u16	0x00, 0x02
	Length	2 Bytes	u16	0x00, 0x02
	Register	1 Byte	u8	0x7F
Parameters	State	1 Byte	u8	0x00

Get the input of the end digital quantity

Register: 128 (0x80)

Request				
Modbus TCP Header	Transaction Identifier	2 Bytes	u16	0x00, 0x01
	Protocol	2 Bytes	u16	0x00, 0x02
	Length	2 Bytes	u16	0x00, 0x04
	Register	1 Byte	u8	0x80
Parameters	Host ID	1 Byte	u8	0x09
	Address	2 Bytes	u16	0x0A, 0x14
Response				
Modbus TCP Header	Transaction Identifier	2 Bytes	u16	0x00, 0x01
	Protocol	2 Bytes	u16	0x00, 0x02
	Length	2 Bytes	u16	0x00, 0x06
	Register	1 Byte	u8	0x80
Parameters	State	1 Byte	u8	0x00
	Parameters1 (0) The end byte indicates the input status. The digit of 0 corresponds to input 0 and the digit of 1 corresponds to input 1.	4 Bytes	u8*4	0x00, 0x00, 0x00, 0x00

Get the input of the end analog				
Register: 128 (0x80)				
Request				
Modbus TCP Header	Transaction Identifier	2 Bytes	u16	0x00, 0x01
	Protocol	2 Bytes	u16	0x00, 0x02
	Length	2 Bytes	u16	0x00, 0x04
	Register	1 Byte	u8	0x80
Parameters	Host ID	1 Byte	u8	0x09
	Address(input 0) Address 0a 16 : input 0 Address 0a 17 : input 1	2 Bytes	u16	0x0A, 0x16
Response				
Modbus TCP Header	Transaction Identifier	2 Bytes	u16	0x00, 0x01
	Protocol	2 Bytes	u16	0x00, 0x02
	Length	2 Bytes	u16	0x00, 0x06
	Register	1 Byte	u8	0x80
Parameters	State	1 Byte	u8	0x00

	Parameter1 (input1) analog input, range 0~4095, corresponding to 0~3.3V	4 Bytes	u32	0x00, 0x00, 0x07, 0x0d
--	---	---------	-----	------------------------

131~140 IO Control on the Control Box

Get configurable digital GPIO input				
Register: 131 (0x83)				
Request				
Modbus TCP Header	Transaction Identifier	2 Bytes	u16	0x00, 0x01
	Protocol	2 Bytes	u16	0x00, 0x02
	Length	2 Bytes	u16	0x00, 0x01
	Register	1 Byte	u8	0x83
Response				
Modbus TCP Header	Transaction Identifier	2 Bytes	u16	0x00, 0x01
	Protocol	2 Bytes	u16	0x00, 0x02
	Length	2 Bytes	u16	0x00, 0x04
	Register	1 Byte	u8	0x83
Parameters	State	1 Byte	u8	0x00
	Parameters1 (The signal of GPIO1 is low) GPIO signal: Bit0 ~ Bit15 Correspond to signals of GPIO0~GPIO15	2 Bytes	u16	0xFF, 0xFD

Get analog input AI1				
Register: 132 (0x84)				
Request				
Modbus TCP Header	Transaction Identifier	2 Bytes	u16	0x00, 0x01
	Protocol	2 Bytes	u16	0x00, 0x02
	Length	2 Bytes	u16	0x00, 0x01
	Register	1 Byte	u8	0x84
Response				
Modbus TCP Header	Transaction Identifier	2 Bytes	u16	0x00, 0x01
	Protocol	2 Bytes	u16	0x00, 0x02
	Length	2 Bytes	u16	0x00, 0x04
	Register	1 Byte	u8	0x84
Parameters	State	1 Byte	u8	0x00

	Parameters1 (Analog input0) Analog input0, Range 0~4095 Corresponding to0~10V	2 Bytes	u16	0x00, 0x12
--	---	---------	-----	------------

Get analog input AI2				
Register: 133 (0x85)				
Request				
Modbus TCP Header	Transaction Identifier	2 Bytes	u16	0x00, 0x01
	Protocol	2 Bytes	u16	0x00, 0x02
	Length	2 Bytes	u16	0x00, 0x01
	Register	1 Byte	u8	0x85
Response				
Modbus TCP Header	Transaction Identifier	2 Bytes	u16	0x00, 0x01
	Protocol	2 Bytes	u16	0x00, 0x02
	Length	2 Bytes	u16	0x00, 0x04
	Register	1 Byte	u8	0x85
Parameters	State	1 Byte	u8	0x00
	Parameters1 (Analog input1) Analog input1, Range 0~4095 Corresponding to0~10V	2 Bytes	u16	0x00, 0x15

Set configurable digital GPIO output				
Register: 134 (0x86)				
Request				
Modbus TCP Header	Transaction Identifier	2 Bytes	u16	0x00, 0x01
	Protocol	2 Bytes	u16	0x00, 0x02
	Length	2 Bytes	u16	0x00, 0x03
	Register	1 Byte	u8	0x86
Parameters	Parameters1(The signal of GPIO7 is low) GPIO signal: the upper 8 bits are the enable bits, and the lower 8 bits are the set bits	2 Bytes	u16	0x80, 0x00
	Parameters2(The signal of GPIO15 is low) GPIO signal: the upper 8 bits are the enable bits, and the lower 8 bits are the set bits	2 Bytes	u16	0x80, 0x00

Response				
Modbus TCP Header	Transaction Identifier	2 Bytes	u16	0x00, 0x01
	Protocol	2 Bytes	u16	0x00, 0x02
	Length	2 Bytes	u16	0x00, 0x02
	Register	1 Byte	u8	0x86
Parameters	State	1 Byte	u8	0x00

Set the analog output A01				
Register: 135 (0x87)				
Request				
Modbus TCP Header	Transaction Identifier	2 Bytes	u16	0x00, 0x01
	Protocol	2 Bytes	u16	0x00, 0x02
	Length	2 Bytes	u16	0x00, 0x03
	Register	1 Byte	u8	0x87
Parameters	Parameters1 (Analog output 0 is 0) Analog output0, Range 0~4095 Corresponding to 0~10V	2 Bytes	u16	0x00, 0x00
Response				
Modbus TCP Header	Transaction Identifier	2 Bytes	u16	0x00, 0x01
	Protocol	2 Bytes	u16	0x00, 0x02
	Length	2 Bytes	u16	0x00, 0x02
	Register	1 Byte	u8	0x87
Parameters	State	1 Byte	u8	0x00

Set the analog output A02				
Register: 136 (0x88)				
Request				
Modbus TCP Header	Transaction Identifier	2 Bytes	u16	0x00, 0x01
	Protocol	2 Bytes	u16	0x00, 0x02
	Length	2 Bytes	u16	0x00, 0x03
	Register	1 Byte	u8	0x88
Parameters	Parameters1 (Analog output 1 is 0) Analog output 1, Range 0~4095 Corresponding to 0~10V	2 Bytes	u16	0x00, 0x00
Response				

Modbus TCP Header	Transaction Identifier	2 Bytes	u16	0x00, 0x01
	Protocol	2 Bytes	u16	0x00, 0x02
	Length	2 Bytes	u16	0x00, 0x02
	Register	1 Byte	u8	0x88
Parameters	State	1 Byte	u8	0x00

Configure digital input IO function

Register: 137 (0x89)

Request

Modbus TCP Header	Transaction Identifier	2 Bytes	u16	0x00, 0x01
	Protocol	2 Bytes	u16	0x00, 0x02
	Length	2 Bytes	u16	0x00, 0x03
	Register	1 Byte	u8	0x89

Parameters1 (GPIO15) GPIO serial number, 0~7 Corresponding to GPIO0 ~ GPIO7	1 Byte	u8	0x07
---	--------	----	------

Parameters2 Function number 0: General input 1: Stop moving 2: Safeguard reset 11: Offline task 12: Manual mode 13: Reduced mode 14: Enable robot	1 Byte	u8	0x00
---	--------	----	------

Response

Modbus TCP Header	Transaction Identifier	2 Bytes	u16	0x00, 0x01
	Protocol	2 Bytes	u16	0x00, 0x02
	Length	2 Bytes	u16	0x00, 0x02
	Register	1 Byte	u8	0x89
Parameters	State	1 Byte	u8	0x00

Configure digital output IO function

Register: 138 (0x8A)

Request

Modbus TCP Header	Transaction Identifier	2 Bytes	u16	0x00, 0x01
	Protocol	2 Bytes	u16	0x00, 0x02

	Length	2 Bytes	u16	0x00, 0x03
	Register	1 Byte	u8	0x8A
	Parameters1 (GPIO15) GPIO serial number, 0~15 Corresponding to GPIO0 ~ GPIO15	1 Byte	u8	0x0F
	Parameters2 (Motion stopped) Function number 0: General output 1: Motion stopped 2: Robot moving 11: Erroring 12: Warning 13: Collision 14: Manual mode 15: Offline task running 16: Reduced mode 17: Robot enabled 18: Press down E stop button	1 Byte	u8	0x00
Response				
Modbus TCP Header	Transaction Identifier	2 Bytes	u16	0x00, 0x01
	Protocol	2 Bytes	u16	0x00, 0x02
	Length	2 Bytes	u16	0x00, 0x02
	Register	1 Byte	u8	0x8A
Parameters	State	1 Byte	u8	0x00

Get GPIO state				
Register: 139 (0x8B)				
Request				
Modbus TCP Header	Transaction Identifier	2 Bytes	u16	0x00, 0x01
	Protocol	2 Bytes	u16	0x00, 0x02
	Length	2 Bytes	u16	0x00, 0x01
	Register	1 Byte	u8	0x8B
Response				
Modbus TCP Header	Transaction Identifier	2 Bytes	u16	0x00, 0x01
	Protocol	2 Bytes	u16	0x00, 0x02
	Length	2 Bytes	u16	0x00, 0x24
	Register	1 Byte	u8	0x8B
Parameters	State	1 Byte	u8	0x00

	GPIO Module status 0: Normal 3: Gripper has error message 6: Communication failure	1 Byte	u8	0x00
	GPIO module error code 0: Normal Not 0: Error code	1 Byte	u8	0x00
	Digital input function I/O status	2 Bytes	u16	0x01, 0x00
	Digital input configuration I/O status	2 Bytes	u16	0xFF, 0xFD
	Digital output function I/O status	2 Bytes	u16	0x00, 0x00
	Digital output configuration I/O status	2 Bytes	u16	0xFF, 0x00
	Analog input 1	2 Bytes	u16	0x00, 0x11
	Analog input 2	2 Bytes	u16	0x00, 0x15
	Analog output 1	2 Bytes	u16	0x00, 0x00
	Analog output 2	2 Bytes	u16	0x00, 0x00
	Digital input I00-I07 configuration message	1 Byte*8	u8*8	0x00, 0x00, 0x00, 0x00, 0x00, 0x00, 0x00, 0x00
	Digital output I00-I07 configuration message	1 Byte*8	u8*8	0x00, 0x00, 0x00, 0x00, 0x00, 0x00, 0x00, 0x00
	Digital input I08-I015 configuration message	1 Byte*8	u8*8	0x00, 0x00, 0x00, 0x00, 0x00, 0x00, 0x00, 0x00
	Digital output I08-I015 configuration message	1 Byte*8	u8*8	0x00, 0x00, 0x00, 0x00, 0x00, 0x00, 0x00, 0x00

142~147: Special I/O commands

Operation of general digital I/O delay output of control box				
Starting from the moment when the command is issued, the digital output switch of the control box is triggered after a period of time.				
Register142 (0x8E)				
Request				
Modbus TCP Header	Transaction Identifier	2 Bytes	u16	0x00, 0x01
	Protocol	2 Bytes	u16	0x00, 0x02
	Length	2 Bytes	u16	0x00, 0x07
	Register	1 Byte	u8	0x8E

	Parameters1(0) Digital IO port number of control box (0-7)	1 Byte	u8	0x00
	Parameters2(on) Switch value (0 is off, 1 is on)	1 Byte	u8	0x01
	Parameters3 (The time when the delay takes effect from the current time=3s)	4 Bytes	fp32	0x00, 0x00, 0x40, 0x40
Response				
Modbus TCP Header	Transaction Identifier	2 Bytes	u16	0x00, 0x01
	Protocol	2 Bytes	u16	0x00, 0x02
	Length	2 Bytes	u16	0x00, 0x02
	Register	1 Byte	u8	0x8E
Parameters	State	1 Byte	u8	0x00

Operation of the end general digital IO delay output				
Starting from the moment when the command is issued, the end digital output switch is triggered after a period of time.				
Register143 (0x8F)				
Request				
Modbus TCP Header	Transaction Identifier	2 Bytes	u16	0x00, 0x01
	Protocol	2 Bytes	u16	0x00, 0x02
	Length	2 Bytes	u16	0x00, 0x07
	Register	1 Byte	u8	0x8F
	Parameters1(0) The end digital IO port number of control box (0/1)	1 Byte	u8	0x00
	Parameters2(on) Switch value (0 is off, 1 is on)	1 Byte	u8	0x01
	Parameters3 (The time when the delay takes effect from the current time=3s)	4 Bytes	fp32	0x00, 0x00, 0x40, 0x40
Response				
Modbus TCP Header	Transaction Identifier	2 Bytes	u16	0x00, 0x01
	Protocol	2 Bytes	u16	0x00, 0x02
	Length	2 Bytes	u16	0x00, 0x02
	Register	1 Byte	u8	0x8F
Parameters	State	1 Byte	u8	0x00

<p>Operation triggered by the position of the general digital IO of the control box</p> <p>Starting from the moment when the instruction is issued, the TCP triggers the digital output switch of the control box after it reaches the specified position area, which is valid for a single time.</p>				
Register144 (0x90)				
Request				
Modbus TCP Header	Transaction Identifier	2 Bytes	u16	0x00, 0x01
	Protocol	2 Bytes	u16	0x00, 0x02
	Length	2 Bytes	u16	0x00, 0x13
	Register	1 Byte	u8	0x90
	Parameters1 (0) IO port number of the control box: 0-7	1 Byte	u8	0x00
	Parameters2 (on) Switch value (on_off): 0 is off, 1 is on	1 Byte	u8	0x01
	Parameters3 (x=400mm)	4 Bytes	fp32	0x00, 0x00, 0xc8, 0x43
	Parameters4 (y=0mm)	4 Bytes	fp32	0x00, 0x00, 0x00, 0x00
	Parameters5 (z=200mm)	4 Bytes	fp32	0x00, 0x00, 0x48, 0x43
	Parameters6 Tolerance radius (tol_r=50mm), when the robotic arm reaches the specified position (the area of the sphere specified by the trigger position point (x, y, z) as the center (the radius of the sphere is the tolerance radius)), trigger IO. If the tolerance radius is not set, when the robotic arm passes the specified point at a speed other than 0, it may cause a missed	4 Bytes	fp32	0x00, 0x00, 0x48, 0x42
Response				
Modbus TCP Header	Transaction Identifier	2 Bytes	u16	0x00, 0x01
	Protocol	2 Bytes	u16	0x00, 0x02
	Length	2 Bytes	u16	0x00, 0x02
	Register	1 Byte	u8	0x90
Parameters	State	1 Byte	u8	0x00

Operation triggered by the position of the end general digital IO				
Starting from the moment when the instruction is issued, the TCP triggers the end digital output switch after it reaches the specified position area, which is valid for a single time.				
Register145 (0x91)				
Request				
Modbus TCP Header	Transaction Identifier	2 Bytes	u16	0x00, 0x01
	Protocol	2 Bytes	u16	0x00, 0x02
	Length	2 Bytes	u16	0x00, 0x13
	Register	1 Byte	u8	0x91
	Parameters1(0) IO port number of the end: 0/1	1 Byte	u8	0x00
	Parameters2(on) Switch value (on_off): 0 is off, 1 is on	1 Byte	u8	0x01
	Parameters3 (x=400mm)	4 Bytes	fp32	0x00, 0x00, 0xc8, 0x43
	Parameters4 (y=0mm)	4 Bytes	fp32	0x00, 0x00, 0x00, 0x00
	Parameters5 (z=200mm)	4 Bytes	fp32	0x00, 0x00, 0x48, 0x43
	Parameters6 Tolerance radius (tol_r=50mm) when the robotic arm reaches the specified position (the area of the sphere specified by the trigger position point (x, y, z) as the center (the radius of the sphere is the tolerance radius)), trigger IO. If the tolerance radius is not set, when the robotic arm passes the specified point at a speed other than 0, it may cause a missed trigger because it cannot be accurately detected.	4 Bytes	fp32	0x00, 0x00, 0x48, 0x42
	Response			
Modbus TCP Header	Transaction Identifier	2 Bytes	u16	0x00, 0x01
	Protocol	2 Bytes	u16	0x00, 0x02
	Length	2 Bytes	u16	0x00, 0x02
	Register	1 Byte	u8	0x91
Parameters	State	1 Byte	u8	0x00

Whether the control box and terminal IO are automatically cleared in the STOP state				
Register146 (0x92)				
Request				
Modbus TCP Header	Transaction Identifier	2 Bytes	u16	0x00, 0x01
	Protocol	2 Bytes	u16	0x00, 0x02
	Length	2 Bytes	u16	0x00, 0x03
	Register	1 Byte	u8	0x92
	Parameters1 (the control box IO IO type 0 represents the control box IO 1 represents the end IO	1 Byte	u8	0x00
	Parameters2 (on) Switch value 0 is off, the STOP status is not cleared. 1 is on, and the STOP status is cleared.	1 Byte	u8	0x01
Response				
Modbus TCP Header	Transaction Identifier	2 Bytes	u16	0x00, 0x01
	Protocol	2 Bytes	u16	0x00, 0x02
	Length	2 Bytes	u16	0x00, 0x04
	Register	1 Byte	u8	0x92
Parameters	State	1 Byte	u8	0x00
	Parameter1	2 Bytes	u16	0x00, 0x01

Operation triggered by the position of the general Analog IO of the control box Starting from the moment when the command is issued, the TCP triggers the analog output switch of the control box after it reaches the specified position area, which is valid for a single time.				
Register147 (0x93)				
Request				
Modbus TCP Header	Transaction Identifier	2 Bytes	u16	0x00, 0x01
	Protocol	2 Bytes	u16	0x00, 0x02
	Length	2 Bytes	u16	0x00, 0x14
	Register	1 Byte	u8	0x93
	Parameters1 (0)	1 Byte	u8	

	IO port number of the control box: 0/1			0x00
	Parameters2(on) Parameters1(Analog output 0 is 0) Analog output 0, Range 0~4095 Corresponding to 0~10V	2 Byte	u16	0x00, 0x00
	Parameters3 (x=400mm)	4 Bytes	fp32	0x00, 0x00, 0xc8, 0x43
	Parameters4 (y=0mm)	4 Bytes	fp32	0x00, 0x00, 0x00, 0x00
	Parameters5 (z=200mm)	4 Bytes	fp32	0x00, 0x00, 0x48, 0x43
	Parameters6 Tolerance radius (tol_r=50mm), when the robotic arm reaches the specified position (the area of the sphere specified by the trigger position point (x, y, z) as the center (the radius of the sphere is the tolerance radius)), trigger IO. If the tolerance radius is not set, when the robotic arm passes the specified point at a speed other than 0, it may cause a missed	4 Bytes	fp32	0x00, 0x00, 0x48, 0x42
Response				
Modbus TCP Header	Transaction Identifier	2 Bytes	u16	0x00, 0x01
	Protocol	2 Bytes	u16	0x00, 0x02
	Length	2 Bytes	u16	0x00, 0x02
	Register	1 Byte	u8	0x93
Parameters	State	1 Byte	u8	0x00

200~212: 6 Axis Force Torque Sensor

Get external force detection data of 6 Axis Force Torque Sensor				
Register200 (0xC8)				
Request				
Modbus TCP Header	Transaction Identifier	2 Bytes	u16	0x00, 0x01
	Protocol	2 Bytes	u16	0x00, 0x02
	Length	2 Bytes	u16	0x00, 0x01

	Register	1 Byte	u8	0xC8
Response				
Modbus TCP Header	Transaction Identifier	2 Bytes	u16	0x00, 0x01
	Protocol	2 Bytes	u16	0x00, 0x02
	Length	2 Bytes	u16	0x00, 0x1A
	Register	1 Byte	u8	0xC8
Parameters	State	1 Byte	u8	0x00
	Parameter1 External force detection data: After filtering, load and offset compensation	24 Byte	fp32 *6	0x00, 0x00, 0x00, 0x00, 0x00, 0x00, 0x00, 0x00, 0x00, 0x00, 0x00, 0x00, 0x00, 0x00, 0x00, 0x00, 0x00, 0x00, 0x00, 0x00,

Enable/Disable 6 Axis Force Torque Sensor				
Register201 (0xC9)				
Request				
Modbus TCP Header	Transaction Identifier	2 Bytes	u16	0x00, 0x01
	Protocol	2 Bytes	u16	0x00, 0x02
	Length	2 Bytes	u16	0x00, 0x02
	Register	1 Byte	u8	0xC9
Parameter	Parameter 1: 0-disable; 1-enable	1 Byte	u8	0x00
Response				
Modbus TCP Header	Transaction Identifier	2 Bytes	u16	0x00, 0x01
	Protocol	2 Bytes	u16	0x00, 0x02
	Length	2 Bytes	u16	0x00, 0x02
	Register	1 Byte	u8	0xC9
Parameters	State	1 Byte	u8	0x00

Set the control mode of 6 Axis Force Torque Sensor				
Register202 (0xCA)				

Request				
Modbus TCP Header	Transaction Identifier	2 Bytes	u16	0x00, 0x01
	Protocol	2 Bytes	u16	0x00, 0x02
	Length	2 Bytes	u16	0x00, 0x02
	Register	1 Byte	u8	0xCA
Parameter	Parameter 1(control mode) 0: non-force mode 1: impedance control mode 2: force control mode	1 Byte	u8	0x00
Response				
Modbus TCP Header	Transaction Identifier	2 Bytes	u16	0x00, 0x01
	Protocol	2 Bytes	u16	0x00, 0x02
	Length	2 Bytes	u16	0x00, 0x02
	Register	1 Byte	u8	0xCA
Parameters	State	1 Byte	u8	0x00

Get the control mode of 6 Axis Force Torque Sensor				
Register203 (0xCB)				
Request				
Modbus TCP Header	Transaction Identifier	2 Bytes	u16	0x00, 0x01
	Protocol	2 Bytes	u16	0x00, 0x02
	Length	2 Bytes	u16	0x00, 0x02
	Register	1 Byte	u8	0xCB
Response				
Modbus TCP Header	Transaction Identifier	2 Bytes	u16	0x00, 0x01
	Protocol	2 Bytes	u16	0x00, 0x02
	Length	2 Bytes	u16	0x00, 0x03
	Register	1 Byte	u8	0xCB
Parameters	State	1 Byte	u8	0x00
	Parameter 1(control mode) 0: non-force mode 1: impedance control mode 2: force control mode	1 Byte	u8	0x00

Perform end payload identification				
Register204 (0xCC)				
Request				
Modbus TCP Header	Transaction Identifier	2 Bytes	u16	0x00, 0x01
	Protocol	2 Bytes	u16	0x00, 0x02
	Length	2 Bytes	u16	0x00, 0x02
	Register	1 Byte	u8	0xCC
Parameters	Parameter 1 (type) 0: 6 Axis Force Torque Sensor identification 1: current identification	1 Byte	u8	0x00
Response				
Modbus TCP Header	Transaction Identifier	2 Bytes	u16	0x00, 0x01
	Protocol	2 Bytes	u16	0x00, 0x02
	Length	2 Bytes	u16	Type 0: 0x00, 0x2A Type 1: 0x00, 0x12
	Register	1 Byte	u8	0xCC
Parameters	State	1 Byte	u8	0x00
	Parameter 1 (Identification result) Type=0: N=10. [weight(kg), Cx, Cy, Cz(mm), Fx0, Fy0, Fz0(N), Tx0, Ty0, Tz0(Nm)] Type=0: N=4. [weight(kg), offset_Cx, offset_Cy, offset_Cz(mm)]	4 * N Byte	fp32	0x00, 0x00, 0x00, 0x00 0x00, 0x00, 0x00, 0x00 ... 0x00, 0x00, 0x00, 0x00

Set the payload and offset of 6 Axis Force Torque Sensor				
Register205 (0xCD)				
Request				
Modbus TCP Header	Transaction Identifier	2 Bytes	u16	0x00, 0x01
	Protocol	2 Bytes	u16	0x00, 0x02

	Length	2 Bytes	u16	0x00, 0x29
	Register	1 Byte	u8	0xCD
Parameters	Parameter 1 (weight: kg)	4 Bytes	fp32	0x00, 0x00, 0x00, 0x00
	Parameter 2 (Cx: mm)	4 Bytes	fp32	0x00, 0x00, 0x00, 0x00
	Parameter 3 (Cy: mm)	4 Bytes	fp32	0x00, 0x00, 0x00, 0x00
	Parameter 4 (Cz: mm)	4 Bytes	fp32	0x00, 0x00, 0x00, 0x00
	Parameter 5 (Fx: mm)	4 Bytes	fp32	0x00, 0x00, 0x00, 0x00
	Parameter 6 (Fy: mm)	4 Bytes	fp32	0x00, 0x00, 0x00, 0x00
	Parameter 7 (Fz: mm)	4 Bytes	fp32	0x00, 0x00, 0x00, 0x00
	Parameter 8 (Tx: mm)	4 Bytes	fp32	0x00, 0x00, 0x00, 0x00
	Parameter 9 (Ty: mm)	4 Bytes	fp32	0x00, 0x00, 0x00, 0x00
	Parameter 10 (Tz: mm)	4 Bytes	fp32	0x00, 0x00, 0x00, 0x00
Response				
Modbus TCP Header	Transaction Identifier	2 Bytes	u16	0x00, 0x01
	Protocol	2 Bytes	u16	0x00, 0x02
	Length	2 Bytes	u16	0x00, 0x02
	Register	1 Byte	u8	0xCD
Parameters	State	1 Byte	u8	0x00

Set the current state as the zero point of 6 Axis Force Torque Sensor				
Register206 (0xCE)				
Request				
Modbus TCP Header	Transaction Identifier	2 Bytes	u16	0x00, 0x01
	Protocol	2 Bytes	u16	0x00, 0x02
	Length	2 Bytes	u16	0x00, 0x01
	Register	1 Byte	u8	0xCE
Response				
Modbus TCP Header	Transaction Identifier	2 Bytes	u16	0x00, 0x01
	Protocol	2 Bytes	u16	0x00, 0x02
	Length	2 Bytes	u16	0x00, 0x02
	Register	1 Byte	u8	0xCE
Parameters	State	1 Byte	u8	0x00

Set all impedance control parameters of 6 Axis Force Torque Sensor				
Register207 (0xCF)				
Request				
Modbus TCP Header	Transaction Identifier	2 Bytes	u16	0x00, 0x01
	Protocol	2 Bytes	u16	0x00, 0x02
	Length	2 Bytes	u16	0x00, 0x50
	Register	1 Byte	u8	0xCF
Parameters	Parameter 1 (coordinate) 0: Base coordinate 1: Tool coordinate	1 Byte	u8	0x00
	Parameter 2 1: the corresponding direction will produce impedance	6 Bytes	u8 * 6	0x00, 0x00, 0x00, 0x00, 0x00, 0x00
	Parameter 3 M => [Mx, My, Mz, Mr, Mp, My] Equivalent mass(xyz): 0.02~1.0(kg) Moment of inertia(rpy): 0.0001~0.01(kg*m ²)	24 Bytes	fp32 * 6	0x00, 0x00
	Parameter 4 Stiffness coefficient. K => [kx, ky, kz, kr, kp, ky] xyz: 0~2000(N/m) rpy: 0~20(Nm/rad)	24 Bytes	fp32 * 6	0x00, 0x00
	Parameter 5 Damping coefficient	24 Bytes	fp32*6	0x00, 0x00
Response				
Modbus TCP Header	Transaction Identifier	2 Bytes	u16	0x00, 0x01
	Protocol	2 Bytes	u16	0x00, 0x02

	Length	2 Bytes	u16	0x00, 0x02
	Register	1 Byte	u8	0xCF
Parameters	State	1 Byte	u8	0x00

Set PID parameter of 6 Axis Force Torque Sensor				
Register208 (0xD0)				
Request				
Modbus TCP Header	Transaction Identifier	2 Bytes	u16	0x00, 0x01
	Protocol	2 Bytes	u16	0x00, 0x02
	Length	2 Bytes	u16	0x00, 0x61
	Register	1 Byte	u8	0xD0
Parameters	Parameter 1 (Proportional gain: KP) Kp[i]: 0~0.05	24 Bytes	fp32 * 6	0x00, 0x00
	Parameter 2 (Integral gain: KI) KI[i]: 0~0.0005	24 Bytes	fp32 * 6	0x00, 0x00
	Parameter 3 (Differential gain: KD) KD[i]: 0~0.05	24 Bytes	fp32 * 6	0x00, 0x00

	<p>Parameter 4 (Maximum TCP speed along each axis) VMAX[i]: 0~200(mm/s)</p>	24 Bytes	fp32 * 6	<p>0x00, 0x00</p>
Response				
Modbus TCP Header	Transaction Identifier	2 Bytes	u16	0x00, 0x01
	Protocol	2 Bytes	u16	0x00, 0x02
	Length	2 Bytes	u16	0x00, 0x02
	Register	1 Byte	u8	0xD0
Parameters	State	1 Byte	u8	0x00

Set force control parameter of 6 Axis Force Torque Sensor				
Register209 (0xD1)				
Request				
Modbus TCP Header	Transaction Identifier	2 Bytes	u16	0x00, 0x01
	Protocol	2 Bytes	u16	0x00, 0x02
	Length	2 Bytes	u16	0x00, 0x38
	Register	1 Byte	u8	0xD1
Parameters	<p>Parameter 1 (coordinate) 0: Base coordinate 1: Tool coordinate</p>	1 Byte	u8	0x00
	<p>Parameter 2 1: the corresponding direction can be controlled by force</p>	6 Bytes	u8 * 6	<p>0x00, 0x00, 0x00, 0x00, 0x 00, 0x00</p>

	<p>Parameter 3</p> <p>F => [Fx, Fy, Fz, Fr, Fp, Fy]</p> <p>(F[i]: The arm adjusts its position along the corresponding axis to achieve the specified force torque)</p> <p>Fx: -150~150 (N)</p> <p>Fy: -150~150 (N)</p> <p>Fz: -200~200 (N)</p> <p>Fr: -4~4(Nm)</p> <p>Fp: -4~4(Nm)</p> <p>Fy: -4~4(Nm)</p>	24 Bytes	fp32 * 6	0x00, 0x00
	<p>Parameter 4</p> <p>(Maximum TCP speed along each axis)</p> <p>VMAX[i]: 0~200(mm/s)</p>	24 Bytes	fp32 * 6	0x00, 0x00
Response				
Modbus TCP Header	Transaction Identifier	2 Bytes	u16	0x00, 0x01
	Protocol	2 Bytes	u16	0x00, 0x02
	Length	2 Bytes	u16	0x00, 0x02
	Register	1 Byte	u8	0xD1
Parameters	State	1 Byte	u8	0x00

Set MKB parameter under impedance control mode of 6 Axis Force Torque Sensor				
Register210 (0xD2)				
Request				
Modbus TCP Header	Transaction Identifier	2 Bytes	u16	0x00, 0x01
	Protocol	2 Bytes	u16	0x00, 0x02
	Length	2 Bytes	u16	0x00, 0x49
	Register	1 Byte	u8	0xD2

Parameters	Parameter 1 $M \Rightarrow [M_x, M_y, M_z, M_r, M_p, M_y]$ Equivalent mass(xyz): 0.02~1.0(kg) Moment of inertia(rpy): 0.0001~0.01(kg*m ²)	24 Byte	fp32 * 6	0x00, 0x00
	Stiffness coefficient. $K \Rightarrow [k_x, k_y, k_z, k_r, k_p, k_y]$ xyz: 0~2000(N/m) rpy: 0~20(Nm/rad)	24 Byte	fp32 * 6	0x00, 0x00, 0x00, 0x00, 0x00, 0x00, 0x00, 0x00, 0x00, 0x00, 0x00, 0x00, 0x00, 0x00, 0x00, 0x00,
	Parameter 3 Damping coefficient	24 Byte	fp32 * 6	0x00, 0x00, 0x00, 0x00, 0x00, 0x00, 0x00, 0x00, 0x00, 0x00, 0x00, 0x00, 0x00, 0x00, 0x00, 0x00, 0x00, 0x00, 0x00, 0x00,
Response				
Modbus TCP Header	Transaction Identifier	2 Bytes	u16	0x00, 0x01
	Protocol	2 Bytes	u16	0x00, 0x02
	Length	2 Bytes	u16	0x00, 0x02
	Register	1 Byte	u8	0xD2
Parameters	State	1 Byte	u8	0x00

Set impedance control parameter of 6 Axis Force Torque Sensor				
Register211 (0xD3)				
Request				
Modbus TCP Header	Transaction Identifier	2 Bytes	u16	0x00, 0x01
	Protocol	2 Bytes	u16	0x00, 0x02
	Length	2 Bytes	u16	0x00, 0x08
	Register	1 Byte	u8	0xD3
Parameters	Parameter 1 (coordinate) 0: Base coordinate 1: Tool coordinate	1 Byte	u8	0x00

	Parameter 2 1: the corresponding direction will produce impedance	6 Bytes	u8 * 6	0x00, 0x00, 0x00, 0x00, 0x00, 0x00
Response				
Modbus TCP Header	Transaction Identifier	2 Bytes	u16	0x00, 0x01
	Protocol	2 Bytes	u16	0x00, 0x02
	Length	2 Bytes	u16	0x00, 0x02
	Register	1 Byte	u8	0xD3
Parameters	State	1 Byte	u8	0x00

Get all feedback data of 6 Axis Force Torque Sensor				
Register212 (0xD4)				
Request				
Modbus TCP Header	Transaction Identifier	2 Bytes	u16	0x00, 0x01
	Protocol	2 Bytes	u16	0x00, 0x02
	Length	2 Bytes	u16	0x00, 0x01
	Register	1 Byte	u8	0xD4
Response				
Modbus TCP Header	Transaction Identifier	2 Bytes	u16	0x00, 0x01
	Protocol	2 Bytes	u16	0x00, 0x02
	Length	2 Bytes	u16	0x01, 0x1A
	Register	1 Byte	u8	0xD4
Parameters	State	1 Byte	u8	0x00
	Parameter 1 (Control mode)	1 Byte	u8	0x00
	Parameter 2 (Enable state)	1 Byte	u8	0x00
	Parameter 3 (Type)	1 Byte	u8	0x00
	Parameter 4 (ID)	1 Byte	u8	0x08
	Parameter 5 (Frequency)	2 Bytes	u16	0x03, 0xE8
	Parameter 6 (Weight)	4 Bytes	fp32	0x00, 0x00, 0x00, 0x00
	Parameter 7 (Reserve)	4 Bytes	fp32	0x00, 0x00, 0x00, 0x00

Parameter 8 (Centroid)	12 Bytes	fp32 * 3	0x00, 0x00, 0x00, 0x00 0x00, 0x00, 0x00, 0x00 0x00, 0x00, 0x00, 0x00
Parameter 9 (offset)	24 Bytes	fp32 * 6	0x00, 0x00, 0x00, 0x00 0x00, 0x00, 0x00, 0x00 0x00, 0x00, 0x00, 0x00 0x00, 0x00, 0x00, 0x00 0x00, 0x00, 0x00, 0x00 0x00, 0x00, 0x00, 0x00
Parameter 10 (Coordinate of impedance control mode)	1 Byte	u8	0x00
Parameter 11 (Impedance control vector)	6 Bytes	u8 * 6	0x00, 0x00, 0x00, 0x00, 0x00, 0x00
Parameter 12 Equivalent mass and Moment of inertia	24 Bytes	fp32 * 6	0x00, 0x00, 0x00, 0x00 0x00, 0x00, 0x00, 0x00 0x00, 0x00, 0x00, 0x00 0x00, 0x00, 0x00, 0x00 0x00, 0x00, 0x00, 0x00 0x00, 0x00, 0x00, 0x00
Parameter 13 Stiffness coefficient	24 Bytes	fp32 * 6	0x00, 0x00, 0x00, 0x00 0x00, 0x00, 0x00, 0x00 0x00, 0x00, 0x00, 0x00 0x00, 0x00, 0x00, 0x00 0x00, 0x00, 0x00, 0x00 0x00, 0x00, 0x00, 0x00
Parameter 14 Damping coefficient	24 Bytes	fp32 * 6	0x00, 0x00, 0x00, 0x00 0x00, 0x00, 0x00, 0x00 0x00, 0x00, 0x00, 0x00 0x00, 0x00, 0x00, 0x00 0x00, 0x00, 0x00, 0x00 0x00, 0x00, 0x00, 0x00
Parameter 15 (Coordinate of force control mode)	1 Byte	u8	0x00

Parameter 16 (Force Control vector)	6 Bytes	u8 *6	0x00, 0x00, 0x00, 0x00, 0x00, 0x00
Parameter 17 (Force vector)	24 Bytes	fp32 *6	0x00, 0x00, 0x00, 0x00 0x00, 0x00, 0x00, 0x00 0x00, 0x00, 0x00, 0x00 0x00, 0x00, 0x00, 0x00 0x00, 0x00, 0x00, 0x00 0x00, 0x00, 0x00, 0x00
Parameter 18 (Reserve)	24 Byte	fp32 * 6	0x00, 0x00, 0x00, 0x00 0x00, 0x00, 0x00, 0x00 0x00, 0x00, 0x00, 0x00 0x00, 0x00, 0x00, 0x00 0x00, 0x00, 0x00, 0x00 0x00, 0x00, 0x00, 0x00
Parameter 19 (KP: Proportional gain)	24 Byte	fp32 * 6	0x00, 0x00, 0x00, 0x00 0x00, 0x00, 0x00, 0x00 0x00, 0x00, 0x00, 0x00 0x00, 0x00, 0x00, 0x00 0x00, 0x00, 0x00, 0x00 0x00, 0x00, 0x00, 0x00
Parameter 20 (KI: Integral gain)	24 Byte	fp32 * 6	0x00, 0x00, 0x00, 0x00 0x00, 0x00, 0x00, 0x00 0x00, 0x00, 0x00, 0x00 0x00, 0x00, 0x00, 0x00 0x00, 0x00, 0x00, 0x00 0x00, 0x00, 0x00, 0x00
Parameter 21 (KD: Differential gain)	24 Byte	fp32 * 6	0x00, 0x00, 0x00, 0x00 0x00, 0x00, 0x00, 0x00 0x00, 0x00, 0x00, 0x00 0x00, 0x00, 0x00, 0x00 0x00, 0x00, 0x00, 0x00 0x00, 0x00, 0x00, 0x00

	Parameter 22 (max TCP speed vector)	24 Byte	fp32 *6	0x00, 0x00, 0x00, 0x00 0x00, 0x00, 0x00, 0x00 0x00, 0x00, 0x00, 0x00 0x00, 0x00, 0x00, 0x00 0x00, 0x00, 0x00, 0x00 0x00, 0x00, 0x00, 0x00
--	--	---------	---------	--

240~241: 485 peripheral transparent transmission

Peripheral 485 transparent transmission timeout			
Register: 240(0xF0)			
Request			
Modbus TCP Header	Transaction Identifier	2 Bytes	0x00, 0x01
	Protocol	2 Bytes	0x00, 0x02
	Length	2 Bytes	0x00, 0x0B
	Register	1 Byte	0xF0
Parameter	Timeout (s)	1 Byte	0x01
Response			
Modbus TCP Header	Transaction Identifier	2 Bytes	0x00, 0x01
	Protocol	2 Bytes	0x00, 0x02
	Length	2 Bytes	0x00, 0x08
	Register	1 Byte	0xF0
Parameter	State	1 Byte	0x00

Peripheral 485 transparent transmission communication			
Register: 241(0xF1)			
Request			
Modbus TCP Header	Transaction Identifier	2 Bytes	0x00, 0x01
	Protocol	2 Bytes	0x00, 0x02
	Length	2 Bytes	0x00, 0x0B
	Register	1 Byte	0xF1
Internal use	Hhost ID: Tool485: 0x09 Control box 485: 0x0a	1 Byte	0x09
485 data	User data	N Byte	0x00
Response			
Modbus TCP Header	Transaction Identifier	2 Bytes	0x00, 0x01
	Protocol	2 Bytes	0x00, 0x02
	Length	2 Bytes	0x00, 0x08
	Register	1 Byte	0xF1
Parameter	State	1 Byte	0x00
Internal use	Hhost ID: Tool485: 0x09 Control box 485: 0x0a	1 Byte	0x09
485 data	User data	N Byte	0x00

2.1.5. Modbus TCP Example

If you want the robotic arm to perform a basic motion, please send the commands as follows:

- (1) Enable the robotic arm.

- (2) Set the motion mode of the robotic arm.
- (3) Set the motion state of the robotic arm.
- (4) Send motion commands.

The following will give an example according to the above steps:

Function	Enable the robotic arm	Setting mode	Setting state	Cartesian linear motion
----------	--	------------------------------	-------------------------------	---

Note:

- (1) 3.2.4 has a detailed description of the register list.
- (2) Please refer to P31-P32 for the format of the request and response command parameters in the following examples.
- (3) The following explains some of the symbols used in the examples and tables:

u8 (1 Byte, 8-bit unsigned int)

u16 (2 Bytes, 16-bit unsigned int, big-endian analysis)

fp32 (4 Bytes, float, little-endian analysis)

str (string)

Enable the robotic arm				
Register11 (0x0B)				
Request				
Modbus TCP Header	Transaction ID	2 Bytes	u16	0x00, 0x01
	Protocol	2 Bytes	u16	0x00, 0x02
	Length (parameter length+1)	2 Bytes	u16	0x00, 0x03
	Register	1 Byte	u8	0x0B
	Parameter1(servo_id)	1 Byte	u8	0x08
	Parameter2(enable)	1 Byte	u8	0x01
Response				
Modbus TCP Header	Transaction ID	2 Bytes	u16	0x00, 0x01
	Protocol	2 Bytes	u16	0x00, 0x02
	Length (parameter length+1)	2 Bytes	u16	0x00, 0x02
	Register	1 Byte	u8	0x0B
Parameters	State	1 Byte	u8	0x00
Setting mode				
Register19 (0x13)				
Request				

Modbus TCP Header	Transaction ID	2 Bytes	u16	0x00, 0x01
	Protocol	2 Bytes	u16	0x00, 0x02
	Length (parameter length+1)	2 Bytes	u16	0x00, 0x02
	Register	1 Byte	u8	0x13
	Parameter1(Motion mode)	1 Byte	u8	0x00
Response				
Modbus TCP Header	Transaction ID	2 Bytes	u16	0x00, 0x01
	Protocol	2 Bytes	u16	0x00, 0x02
	Length (parameter length+1)	2 Bytes	u16	0x00, 0x02
	Register	1 Byte	u8	0x13
Parameters	State	1 Byte	u8	0x00

Setting state				
Register12 (0x0C)				
Request				
Modbus TCP Header	Transaction ID	2 Bytes	u16	0x00, 0x01
	Protocol	2 Bytes	u16	0x00, 0x02
	Length (parameter length+1)	2 Bytes	u16	0x00, 0x02
	Register	1 Byte	u8	0x0C
	Parameter1(Motion state)	1 Byte	u8	0x00
Response				
Modbus TCP Header	Transaction ID	2 Bytes	u16	0x00, 0x01
	Protocol	2 Bytes	u16	0x00, 0x02
	Length (parameter length+1)	2 Bytes	u16	0x00, 0x02
	Register	1 Byte	u8	0x0C
Parameters	State	1 Byte	u8	0x00

Cartesian linear motion				
Register21 (0x15)				
Request				
Modbus TCP Header	Transaction ID	2 Bytes	u16	0x00, 0x01
	Protocol	2 Bytes	u16	0x00, 0x02
	Length (parameter length+1)	2 Bytes	u16	0x00, 0x25
	Register	1 Byte	u8	0x15
Parameters	Parameter1(x=400mm)	4 Bytes	fp32	0x00, 0x00, 0x0C8, 0x43
	Parameter2(y=0mm)	4 Bytes	fp32	0x00, 0x00, 0x00, 0x00
	Parameter3(z=200mm)	4 Bytes	fp32	0x00, 0x00, 0x48, 0x43
	Parameter4(roll= π)	4 Bytes	fp32	0xDB, 0x0F, 0x49, 0x40
	Parameter5(pitch=0)	4 Bytes	fp32	0x00, 0x00, 0x00, 0x00

	Parameter6(yaw=0)	4 Bytes	fp32	0x00, 0x00, 0x00, 0x00
	Parameter8(speed=100mm/s)	4 Bytes	fp32	0x00, 0x00, 0xC8, 0x42
	Parameter9(acceleration=2000m m/s ²) =500* π /180rad/s ²)	4 Bytes	fp32	0x00, 0x00, 0xFA, 0x44
	Parameter10(motion time=0)	4 Bytes	fp32	0x00, 0x00, 0x00, 0x00
Response				
Modbus TCP Header	Transaction ID	2 Bytes	u16	0x00, 0x01
	Protocol	2 Bytes	u16	0x00, 0x02
	Length (parameter length+1)	2 Bytes	u16	0x00, 0x04
	Register	1 Byte	u8	0x15
Parameters	State	1 Byte	u8	0x00
	Parameter1	2 Bytes	u16	0x00, 0x01

2.1.6. Automatic Reporting Format

REPORT_TCP_DEVELOP:

REPORT_TCP_DEVELOP			
Default Port	30003		
Frequency	100Hz		
Byte Order Content	1~4 Bytes		Number of Bytes
	5 Byte	u8	Bit0-Bit3 indicates the motion status, Bit4-Bit7 indicates the motion mode.
	6~7 Bytes	u16	Number of commands Caches, big-endian byte
	8~35 Bytes	fp32	The current angle of each joint of the robotic
	36~59 Bytes	fp32	The current position and attitude of the
	60~87 Bytes	fp32	Joint torque
	88~111Bytes	fp32	The external force detection value of the end six-dimensional force/torque sensor after filtering, load and offset compensation
	112~135Bytes	fp32	The direct reading of the six-dimensional force/torque sensor at the end, without any processing
Example			
Assumption: Get 36-50 Bytes of data	0x18, 0x00, 0x4F, 0x43, 0x24, 0xFC, 0x8A, 0x28, 0x08, 0x01, 0xE0, 0x42 0xDB, 0x0F, 0x49, 0xC0, 0x00, 0x00, 0x00, 0x24, 0x00, 0x00, 0x00, 0x00,		
	0x18, 0x00, 0x4F, 0x43	207.0003662109375	
	0x24, 0xFC, 0x8A, 0x28	1.54304263051859e-14	
	0x08, 0x01, 0xE0, 0x42	112.00201416015625	
	0xDB, 0x0F, 0x49, 0xC0	3.1415927410125732	

	0x00, 0x00, 0x00, 0x24	2.7755575615628914e-17
	0x00, 0x00, 0x00, 0x00	0.0

REPORT_TCP_NORMAL:

REPORT_TCP_NORMAL			
Default Port	30001		
Frequency	5Hz		
Byte Order Content	1~87Bytes		The same as [the Auto Reporting Format of REPORT_TCP_DEVELOP]
	88 Bytes	u8	Servo brake status (u8 Bit0 ~ Bit correspond to 1~6 joints respectively, 0 not enabled, 1 enabled)
	89 Bytes	u8	Servo brake status (u8 Bit0 ~ Bit correspond to 1~6 joints respectively, 0 not enabled, 1 enabled)
	90 Bytes	u8	Error code
	91 Bytes	u8	Warning code
	92~115 Bytes	fp32 *6	TCP offset, little-endian byte order
	116~131Bytesby	fp32 *4	End load Parameter
	132 Bytes	u8	Collision detection sensitivity
	133 Bytes	u8	Teaching sensitivity
	134~145 Bytes	fp32 *3	Vectors (x, y, z) indicating the direction of gravity, relative to the base coordinate system.
Example			
The same as [REPORT_TCP_DEVELOP]			

REPORT_TCP_RICH:

REPORT_TCP_RICH			
Default Port	30002		
Frequency	5Hz		
Byte Order Content	1~145 Bytes		The same as [the Auto Reporting Format of REPORT_TCP_DEVELOP]
	146 Bytes	u8	Robotic arm type number (5/6/7)
	147 Bytes	u8	Robotic arm joint number (5/6/7)
	148 Bytes	u8	MASTER ID Communication (0xAA fixed)
	149 Bytes	u8	SLAVE ID Communication (0x55 fixed)
	150 Bytes	0	Reserved
	151 Bytes	0	Reserved
	152~181Bytes		Firmware version string (30 Bytes)

182~201 Bytes	fp32 *5	[current cartesian jerk (mm / s^3), (configurable)minimum cartesian acceleration (mm / s^2), (configurable)maximum cartesian acceleration (mm / s^2), (configurable)minimum cartesian speed (mm / s), (configurable)maximum cartesian speed (mm / s)]
202~221 Bytes	fp32 *5	[current joint jerk ($\text{radian} / \text{s}^3$), (configurable)minimum joint acceleration ($\text{radian} / \text{s}^2$), (configurable)maximum joint acceleration ($\text{radian} / \text{s}^2$), (configurable)minimum joint speed (radian / s), (configurable)maximum joint speed (radian / s)]
222~229 Bytes	fp32 *2	[Attitude rotation jerk ($\text{radian} / \text{s}^3$), maximum attitude rotation acceleration($\text{radian} / \text{s}^2$)] Note: Users cannot set the above two parameter values by yourselves
230~243 Bytes	u8	[Joint servo error type, joint servo error
244~245 Bytes	u8	[End IO error type, end IO error code]
246~252 Bytes	u8	[Joint Celsius]
253~256 Bytes	fp32	TCP speed of Cartesian motion command planned by controller (mm/s)
257~284 Bytes	fp32 * 7	The angular velocity of the joint motion commands planned by the controller (rad/s) Note: In servoj' s motion mode, the speed value cannot be obtained.
285~288 Bytes	u32	The value of the current commands counter
289~312 Bytes	fp32 * 6	User coordinate system offset [x (mm), y (mm), z (mm), roll (radian), pitch (radian), yaw (radian)]
313 Bytes	u8	The switch value of the control box IO stop
314 Bytes	u8	The switch value of the end IO stop state clearing
315 Bytes	u8	Virtual control switch
316 Bytes	u8	Self-collision detection switch
317 Bytes	u8	Self-collision detection end tool type number
318~341Bytes	fp32 * 6	Self-collision detection end tool model parameters, unit: mm, little-endian byte order

342~355Bytes	u16*7	Robotic arm joint voltage (value has been processed by X100)
356~383 Bytes	fp32 * 7	Joint current, unit: A
384Bytes	u8	GPIO module status (refer to Register 139) 0: normal 3: The paw has an error message 6: Communication failed
385 Bytes	u8	Error code of GPIO module (refer to Register 139) 0: normal Non-zero: error code
386~387 Bytes	u16	Digital input function I0 status (refer to
388~389 Bytes	u16	Digital input configuration I0 status (refer to Register 139)
390~391 Bytes	u16	Digital output function I0 status (refer to Register 139)
392~393 Bytes	u16	Digital output configuration I0 status (refer to Register 139)
394~395 Bytes	u16	Analog input 1 (refer to Register 139)
396~397 Bytes	u16	Analog input 2 (refer to Register 139)
398~399 Bytes	u16	Analog output 1 (refer to Register 139)
400~401Bytes	u16	Analog output 2 (refer to Register 139)
402~409 Bytes	u8*8	Digital input I00~I07 configuration information (refer to Register 139)
410~417 Bytes	u8*8	Digital output I00~I07 configuration information (refer to Register 139)
418~425 Bytes	u8*8	Digital input I08~I015 configuration information (refer to Register 139)
426~433 Bytes	u8*8	Digital output I08~I015 configuration information (refer to Register 139)
434~457 Bytes	fp32*6	The external force detection value of the end six-dimensional force/torque sensor after filtering, load and offset compensation. unit(N, N, N, Nm, Nm, Nm)

	458~481 Bytes	fp32*6	The direct reading of the six-dimensional force/torque sensor at the end, without any processing. unit(N, N, N, Nm, Nm, Nm)
	482 Byte	u8	Automatic identification process completion progress(percentage)
	483~494 Bytes	fp32*3	Current end attitude(shaft angle notation)
Example			
The same as [REPORT_TCP_DEVELOP]			

3. Error Reporting and Handling

3.1. Joints Error Message and Error Handling

- Error processing method: Re-power on, the steps are as follows:
 1. Turn the emergency stop button on the control box
 2. Enable robotic arm
- xArm Studio enable mode: Click the guide button in the error pop-up window or the [Enable Robot] button on the homepage.
- xArm-Python-SDK enable mode: [Error Handling Mode](#).
- xArm-library: operators can view related documents at https://github.com/xArm-Developer/xarm_ros
- If the problem remains unsolved after power on/off for multiple times, please contact UFACTORY team for support.

Software Error Code	Error Code	Error Handling
S0	0x00	Joint Communication Error Please restart the xArm with the Emergency Stop Button on the Control Box. If multiple reboots do not work, please contact technical support.
S10	0x0A	Current Detection Error Please restart the xArm with the Emergency Stop Button on the xArm Control Box.
S11	0x0B	Joint Overcurrent Please restart the xArm with the Emergency Stop Button on the xArm Control Box.
S12	0x0C	Joint Overspeed Please restart the xArm with the Emergency Stop Button on the xArm Control Box.
S14	0x0E	Position Command Overlimit Please restart the xArm with the Emergency Stop Button on the xArm Control Box.

S15	0x0F	<p style="text-align: center;">Joints Overheat</p> <p>If the robotic arm is running for a long time, please stop running and restart the xArm after it's cool down.</p>
S16	0x10	<p style="text-align: center;">Encoder Initialization Error</p> <p>Please ensure that there is no external force to push the robotic arm when the it's energized. Please restart the xArm with the Emergency Stop Button on the xArm Control Box.</p>
S17	0x11	<p style="text-align: center;">Single-turn Encoder Error</p> <p>Please restart the xArm with the Emergency Stop Button on the Control Box.</p>
S18	0x12	<p style="text-align: center;">Multi-turn Encoder Error</p> <p>Please go to "Settings-Advanced-Advanced Tools-Joint Tools-Joint Debug", click "Clear Multi-turn Error" then push power switch of the Control Box to OFF, wait 5 seconds and then power on again.</p>
S19	0x13	<p style="text-align: center;">Low Battery Voltage</p> <p>Please contact technical support.</p>
S20	0x14	<p style="text-align: center;">Driver IC Hardware Error</p> <p>Please re-enable the robot.</p>
S21	0x15	<p style="text-align: center;">Driver IC Initialization Error</p> <p>Please restart the xArm with the Emergency Stop Button on the xArm Control Box.</p>
S22	0x16	<p style="text-align: center;">Encoder Configuration Error</p> <p>Please contact technical support.</p>
S23	0x17	<p style="text-align: center;">Large Motor Position Deviation</p> <p>Please check whether the xArm movement is blocked, whether the payload exceeds the rated payload of xArm, and whether the acceleration value is too large.</p>
S26	0x1A	<p style="text-align: center;">Joint N Positive Overrun</p> <p>Please check if angle value of the joint N is too large.</p>
S27	0x1B	<p style="text-align: center;">Joint N Negative Overrun</p> <p>Please check if the angle value of joint N is too large, if so, please click Clear Error and manually unlock the joint and rotate the joint to the allowed range of motion.</p>
S28	0x1C	<p style="text-align: center;">Joint Commands Error</p> <p>The xArm is not enabled, please click Enable Robot.</p>

S33	0x21	Drive Overloaded Please make sure the payload is within the rated load.
S34	0x22	Motor Overload Please make sure the payload is within the rated load.
S35	0x23	Motor Type Error Please restart the xArm with the Emergency Stop Button on the xArm Control Box.
S36	0x24	Driver Type Error Please restart the xArm with the Emergency Stop Button on the xArm Control Box.
S39	0x27	Joint Overvoltage Please reduce the acceleration value in the Motion Settings.
S40	0x28	Joint Undervoltage Please reduce the acceleration value in the Motion Settings. Please check if the control box emergency stop switch is released.
S49	0x31	EEPROM Read and Write Error Please restart the xArm with the Emergency Stop Button on the xArm Control Box.
S52	0x34	Initialization of Motor Angle Error Please restart the xArm with the Emergency Stop Button on the xArm Control Box.

3.2. Control Box Error Code and Error Handling

3.2.1. Control Box Error Code

If there is any error in the hardware of the robotic arm in the software of the Control Box/in sending command, an error or warning will be issued. This error/warning signal will be fed back when the operators send any command; In other words, the feedback is passive and not actively reported.

After the above error occurs, the robotic arm will stop working immediately and discard the Control Box cache command. Users need to clear these errors manually to allow normal operation. Please re-adjust the motion planning of the robotic arm according to the reported error message.

Software Error Code	Error Code	Error Handling
C1	0x01	The Emergency Stop Button on the Control Box is Pushed in to Stop Please release the Emergency Stop Button, and then click "Enable Robot"
C2	0x02	The Emergency IO of the Control Box is triggered Please ground the 2 EIs of the Control Box, and then click "Enable Robot".
C3	0x03	The Emergency Stop Button of the Three-state Switch is pressed Please release the Emergency Stop Button of the Three-state Switch, and then click "Enable Robot".
C11-C17	0x0B-0x11	Power on again.
C19	0x13	End Module Communication Error Please check whether gripper is installed and the baud rate setting is correct.
C21	0x15	Kinematic Error Please re-plan the path.
C22	0x16	Self-collision Error, Please Re-plan the Path. If the robotic arm continues to report self-collision errors, please go to the "live control" interface to turn on the "manual mode" and drag the robotic arm back to the normal position.
C23	0x17	Joints Angle Exceed Limit Please click the "ZERO" button to return to the zero position.
C24	0x18	Speed Exceeds Limit Please check if the xArm is at singularity point, or reduce the speed and acceleration values.

C25	0x19	<p>Planning Error</p> <p>Please re-plan the path or reduce the speed.</p>
C26	0x1A	<p>Linux RT Error</p> <p>Please contact technical support.</p>
C27	0x1B	<p>Command Reply Error</p> <p>Please retry, or restart the xArm with the Emergency Stop Button on the xArm Control Box.</p>
C29	0x1D	<p>Other Errors</p> <p>Please contact technical support.</p>
C30	0x1E	<p>Feedback Speed Exceeds limit</p> <p>Please contact technical support.</p>
C31	0x1F	<p>Collision Caused Abnormal Current</p> <p>Please check for collisions, check that the payload settings are correct, and that the collision sensitivity matches the speed.</p>
C32	0x20	<p>Three-point drawing circle calculation error</p> <p>Please reset the arc command.</p>
C33	0x21	<p>Abnormal current in the robotic arm</p> <ol style="list-style-type: none"> 1. Check whether the robotic arm collides. 2. Check whether the mass and center of mass set at "Settings"->"TCP Settings"->"TCP Payload" match the actual payload. 3. Check whether the mounting direction set at "Settings"->"Mounting" matches the actual situation. 4. Check whether the TCP payload parameters set in your program match the actual payload. 5. Reduce the motion speed of the robotic arm. 6. Go to "Settings"->"Motion"->"Sensitivity Settings" to lower the collision sensitivity.
C34	0x22	<p>Recording Timeout</p> <p>The track recording duration exceeds the maximum duration limit of 5 minutes. It is recommended to re-record.</p>
C35	0x23	<p>Safety Boundary Limit</p> <p>The xArm reaches the safety boundary. Please let the xArm work within the safety boundary.</p>
C36	0x24	<p>The number of delay commands exceeds the limit</p> <ol style="list-style-type: none"> 1. Please check whether there are too many position

		detection or IO delay commands. 2. Increase the tolerance of the position detection command.
C37	0x25	Abnormal Motion in Manual Mode Please check whether the TCP payload setting of the robotic arm and the installation method of the robotic arm match the actual settings.
C38	0x26	Abnormal Joint Angle Please stop the xArm by pressing the Emergency Stop Button on the Control Box.
C39	0x27	Abnormal Communication Between Master and Slave IC of Power Board.
C50	0x32	Six-axis Force Torque Sensor Error Please check the sensor error code, locate the problem, and power on again. If it cannot be resolved, please contact technical support.
C51	0x33	Six-axis Force Torque Sensor Mode Setting Error Please make sure that the robotic arm is not in Manual Mode, check whether the given value of this command is 0/1/2
C52	0x34	Six-axis Force Torque Sensor Zero Setting Error Please check the sensor communication wiring and whether the power is normal.
C53	0x35	Six-axis Force Torque Sensor Overload Please reduce the payload or applied external force.
C110	0x6E	Robot Arm Base Board Communication Error Please contact technical support.
C111	0x6F	Control Box External 485 Device Communication Error. Please contact technical support.
For alarm codes that are not listed in the above table: Power on again. If the problem remains unsolved after power on/off for multiple times, please contact technical support.		

3.2.2. Control Box Error Code

The error does not affect the normal operation of the robotic arm, but it may affect the operators' program operations. Once the warning occurs,

the arm will set the warning flag and return it together in the command reply. Despite that, no other operations will be performed. The robotic arm will still operate normally.

Error code	Description	Error Handling
11 (0x0B)	Buffer overflow	Control the volume of command cache
12 (0x0C)	Command parameter abnormal	Check sent command
13 (0x0D)	Unknown Command	Check sent command
14 (0x0E)	Command no solution	Check sent command

3.3. Gripper Error Code & Error Handling

Operators can power off and on the system as an error handling, the steps are as follows (re-powering needs to go through all the following steps):

1. Re-powering the robotic arm via the emergency stop button on the control box.
2. Enable robotic arm.
 - a. xArm Studio enable mode: Click the guide button in the error pop-up window or the [Enable Robot] button on the homepage.
 - b. xArm-Python-SDK enable mode: [xArm-Python-SDK Error Handling](#).
 - c. xArm_ros library: users can view related documents at https://github.com/xArm-Developer/xarm_ros
3. Re-enable the gripper.

If the problem remains unsolved after power on/off for multiple times, please contact UFACTORY team for support.

Software Error Code	Error Code	Error Handling
G9	0x09	Gripper Current Detection Error Please restart the xArm with the Emergency Stop Button on the xArm Control Box.
G11	0x0B	Gripper Current Overlimit Please click "OK" to re-enable the Gripper.

G12	0x0C	Gripper Speed Overlimit Please click “OK” to re-enable the Gripper.
G14	0x0E	Gripper Position Command Overlimit Please click “OK” to re-enable the Gripper.
G15	0x0F	Gripper EEPROM Read and Write Error Please click “OK” to re-enable the Gripper.
G20	0x14	Gripper Driver IC Hardware Error Please click “OK” to re-enable the Gripper.
G21	0x15	Gripper Driver IC Initialization Error Please click “OK” to re-enable the Gripper.
G23	0x17	Gripper Large Motor Position Deviation Please check if the movement of the Gripper is blocked, if not, please click “OK” to re-enable the Gripper.
G25	0x19	Gripper Command Over Software Limit Please check if the gripper command is set beyond the software limit.
G26	0x1A	Gripper Feedback Position Software Limit Please contact technical support.
G33	0x21	Gripper Drive Overloaded Please contact technical support.
G34	0x22	Gripper Motor Overload Please contact technical support.
G36	0x24	Gripper Driver Type Error Please click “OK” to re-enable the Gripper.

xArm-Python-SDK Error Handling:

When designing the robotic arm motion path with the Python library, if the robotic arm error (see Appendix for Alarm information) occurs, it needs to be cleared manually. After clearing the error, the robotic arm should be motion enabled.

Python library error clearing steps: (Please check GitHub for details on the following interfaces)

- a. Error clearing: `clean_error()`
- b. Re-enable the robotic arm: `motion_enable(true)`
- c. Set the motion state: `set_state(0)`

4. Technical Specifications

4.1. xArm5/6/7 Common Specifications

xArm		
Cartesian Range	X	$\pm 700\text{mm}$
	Y	$\pm 700\text{mm}$
	Z	$-400\text{mm} \sim 951.5\text{mm}$
	Roll/Yaw/Pitch	$\pm 180^\circ$
Maximum Joint Speed		$180^\circ / \text{s}$
Reach		700mm
Repeatability		$\pm 0.1\text{mm}$
Max Speed of End-effector		1m/s
Ambient Temperature Range		$0-50^\circ \text{C}^$
Power Consumption		Min 8.4 W, Typical 200W, Max 500W
Input Power Supply		24 V DC, 16.5 A
ISO Class Cleanroom		5
Robotic Arm Mounting		Any
Programming		xArm Studio/Python/C++/ROS
Robotic Arm Communication Protocol		Modbus-TCP
End-effector I/O Interface		2 Digital inputs, 2 Digital outputs, 2 Analog inputs
End-effector Communication Protocol		Modbus-RTU
Footprint		$\varnothing 126 \text{ mm}$
Materials		Aluminium, Carbon Fiber
End Tool Flange		DIN ISO 9409-1-A50/63 (M5*6)
Control Box		
	AC Control Box	DC Control Box
Input	100-240VAC 50/60Hz	24VDC
Output	24VDC 20.8A	24VDC 16.5A
Control Box Communication Protocol		Modbus TCP
Control Box Communication Model		Ethernet
Control Box I/O Interface	8*CI+8*DI (Digital In)	8*CI (Digital In)
	8*CO+8*DO (Digital Out)	8*CO (Digital Out)

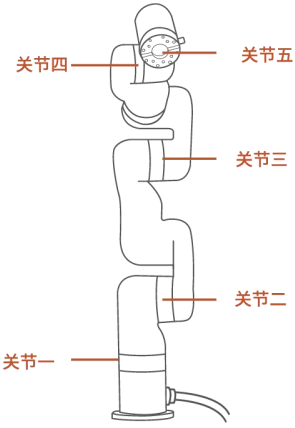
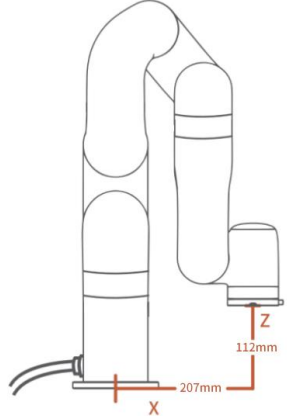
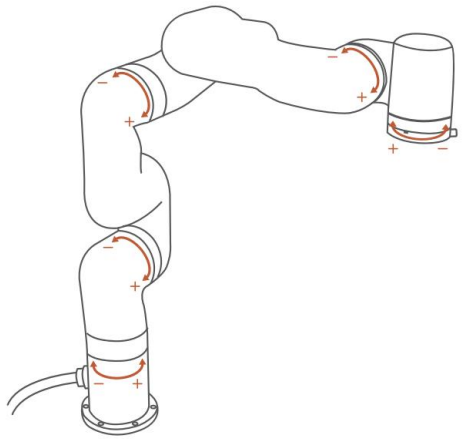
	2*AI (Analog In) 2*AO (Analog Out) 1*RS-485 Master 1*RS-485 Slave	2*AI (Analog In) 2*AO (Analog Out)
Weight	3.9kg	1.6kg
Dimension (L*W*H)	285*135*101mm	180*145*68mm

xArm accessories parameters:

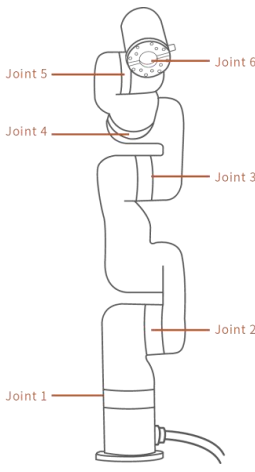
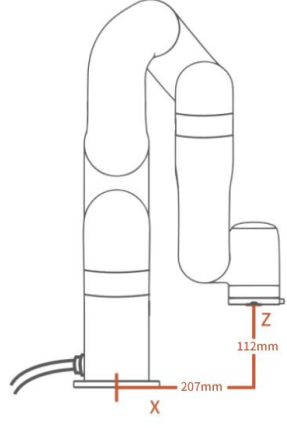
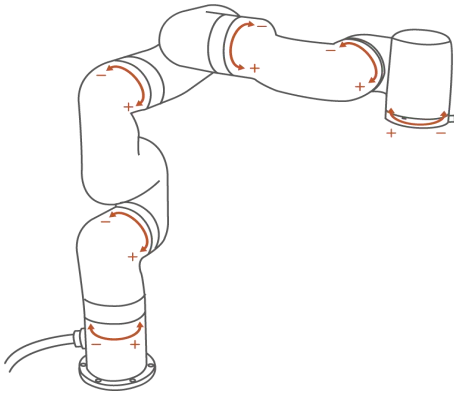
Gripper	
Nominal Supply Voltage	24V DC
Absolute Maximum Supply Voltage	28V DC
Quiescent Power (Minimum Power Consumption)	1.5W
Peak Current	1.5A
Working Range	86mm
Maximum Clamping Force	30N
Weight (g)	822g
Communication Mode	RS-485
Communication Protocol	Modbus RTU
Programmable Gripping Parameters	Position, Speed
Feedback	Position
Vacuum Gripper	
Rated Supply Voltage	24V DC
Absolute Maximum Supply Voltage	28V DC
Quiescent Current (mA)	30mA
Peak Current (mA)	400mA
Vacuum	78%
Vacuum Flow (L/min)	> 5.6L/min
Weight (g)	610 g
Dimensions (L*W*H)	122.5 * 91.6 * 75mm
Payload (kg)	≤5kg
Noise Level (30cm away)	< 60dB
Communication Mode	Digital IO
State Indicator	Power, Working State
Feedback	Air Pressure (Low or Normal)
Notes:	

1. The ambient temperature of xArm is 0-50 ° C, please reduce the temperature if continuous high-speed operation is needed.

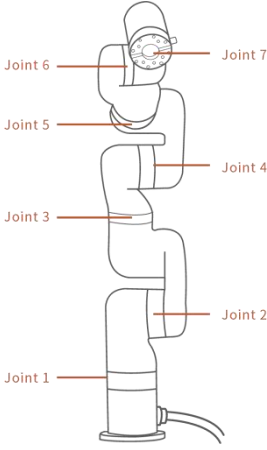
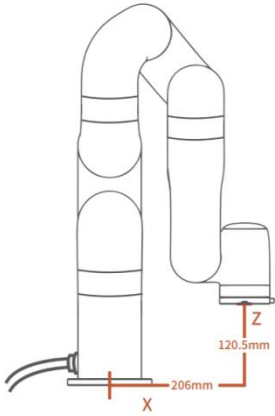
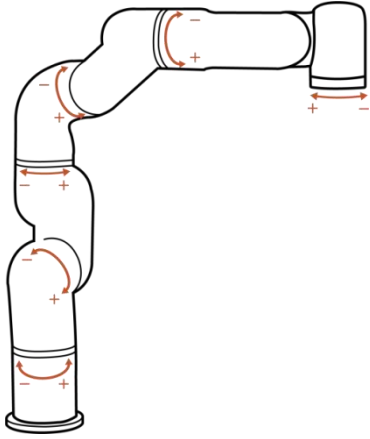
4.2. xArm 5 Specifications

Joint Range	1, 5	$\pm 360^\circ$
	2	$-118^\circ \sim 120^\circ$
	3	$-225^\circ \sim 11^\circ$
	4	$-97^\circ \sim 180^\circ$
Payload		3kg
Degrees of Freedom		5
Weight(robotic arm only)		11.2kg
 <p>Robot Joints</p>		 <p>Robot Zero Attitude</p>
 <p>Joint Rotating Direction</p>		

4.3. xArm 6 Specifications

Joint Range	1, 4, 6	$\pm 360^\circ$
	2	$-118^\circ \sim 120^\circ$
	3	$-225^\circ \sim 11^\circ$
	5	$-97^\circ \sim 180^\circ$
Payload		5kg
Degrees of Freedom		6
Repeatability		$\pm 0.1\text{mm}$
Weight(robotic arm only)		12.2kg
 <p>Robot Joints</p>		 <p>Robot Zero Attitude</p>
 <p>Joint Rotating Direction</p>		

4.4. xArm 7 Specifications

Joint Range	1, 3, 5, 7	$\pm 360^\circ$
	2	$-118^\circ \sim 120^\circ$
	4	$-11^\circ \sim 225^\circ$
	6	$-97^\circ \sim 180^\circ$
Payload		3.5kg
Degrees of Freedom		7
Weight (robotic arm only)		13.7kg
 <p>Robot Joints</p>		 <p>Robot Zero Attitude</p>
 <p>Joint Rotating Direction</p>		

Generation ROBOTS

Brand of the group **NGX** ROBOTICS

Official Distributor

gr@generationrobots.com

+33 5 56 39 37 05

www.generationrobots.com

