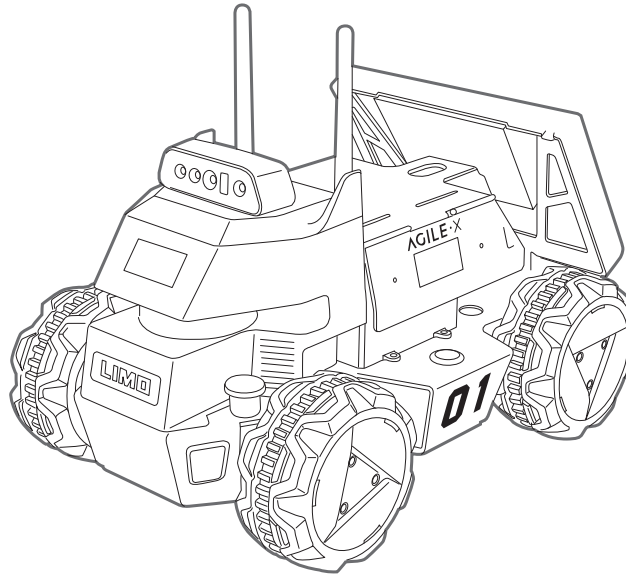




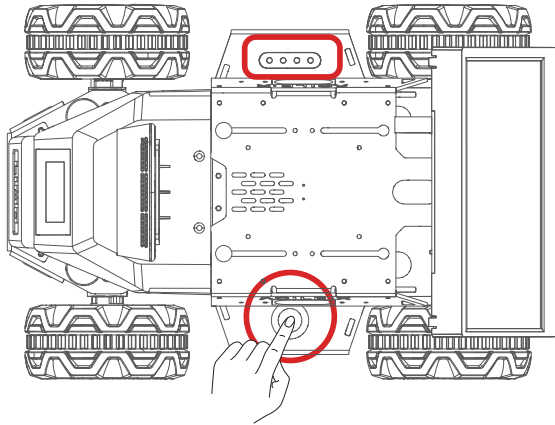
Génération
ROBOTS



AgileX Quick Start Guide

Operation

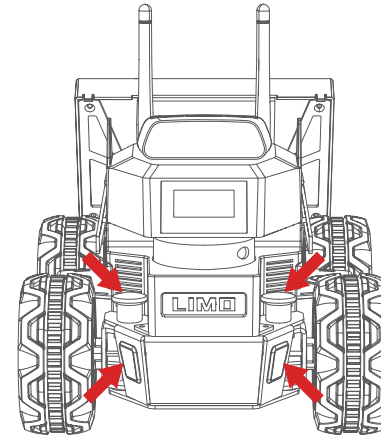
1. Long press the button to turn on or turn off the LIMO.
(Short press the button to stop the LIMO while using).



Description of battery indicator

Light Status	Meaning
●●●● Solid Green /flashing	Sufficient battery
●●●● Red light flashing	Low battery

2. Check current drive mode of LIMO by observing the status of the front latch and the indicators.



Description of latch status and front indicator color

Latch status	Indicator color	Current mode
	Blinking red	Low battery/main controller alarm
	Solid red	LIMO stops
Inserted	Yellow	Four-wheel differential/tracked mode
	Blue	Mecanum wheel mode
Released	Green	Ackermann mode

3. APP Instructions

- 1 Scan the QR code below to download the App, IOS APP can be downloaded from the AppStore by searching for AgileX.



IOS



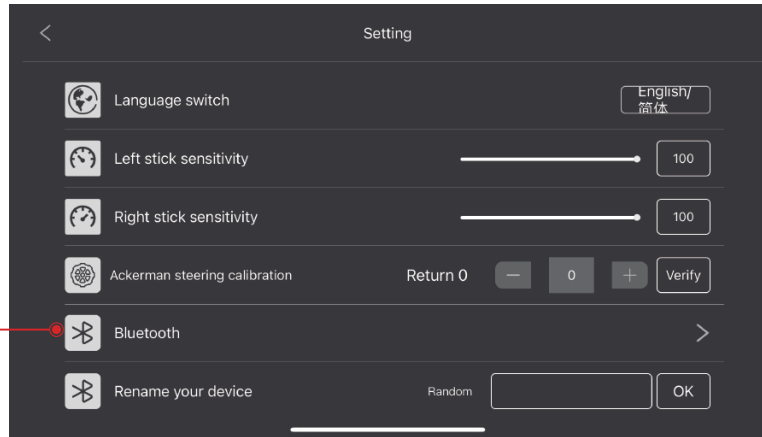
Android

- 2 Open APP and connect to Bluetooth



Click the setting icon

Click on the Bluetooth icon to search for LIMO_XXXXXX



3 Instructions on remote control interface

Turn on/off the controller

Drive mode switch

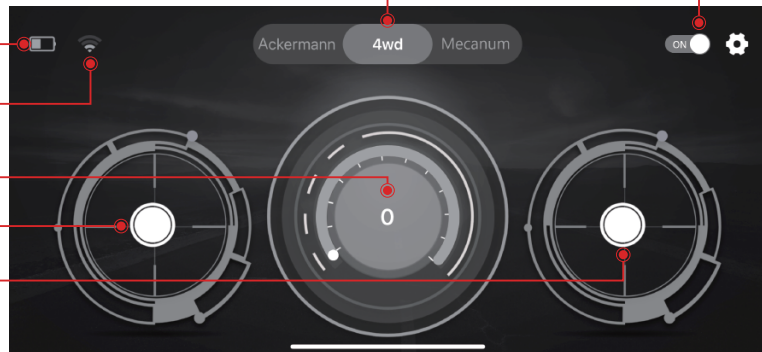
Status

Bluetooth signal

Speed

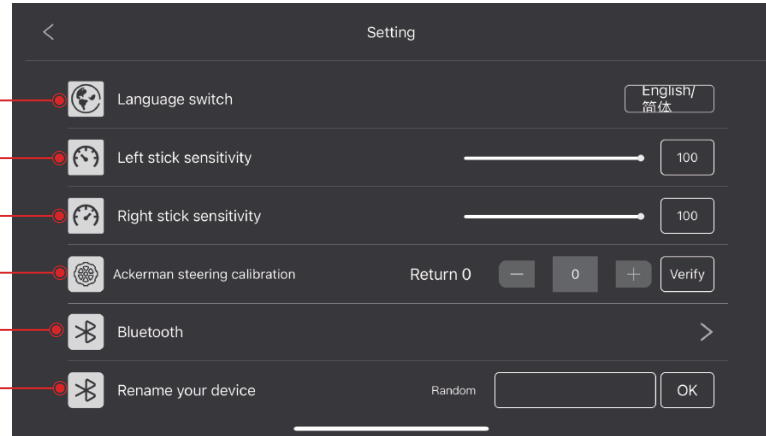
Motion control

Direction control



4 Settings

- Switch language
- Adjust the control sensitivity of the left stick
- Adjust the control sensitivity of the right stick
- LIMO steering servo calibration in Ackerman mode
- Instructions on the settings interface
- Change the name of LIMO Bluetooth (Note: After clicking OK, the Bluetooth connection will be disconnected, and LIMO needs to be restarted to be connected again)




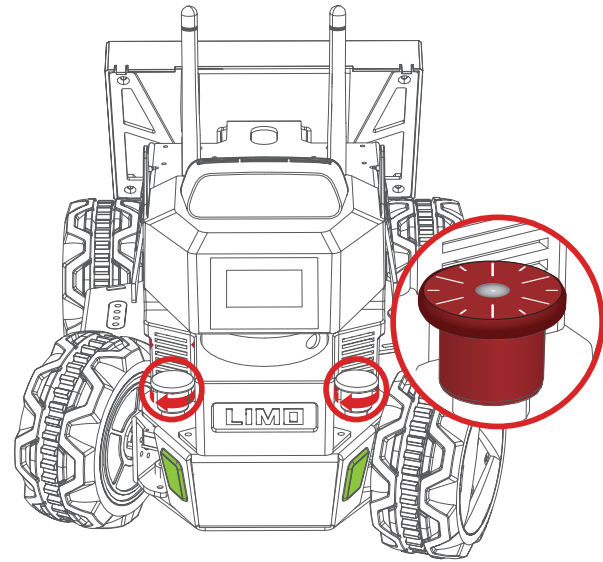
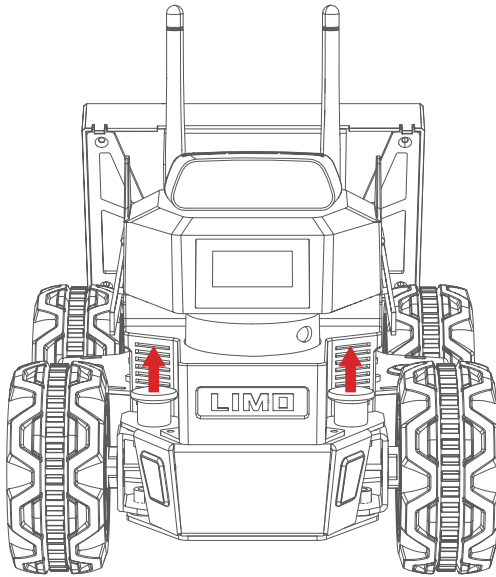
5 Instructions on mode switching through APP

- Ackermann: manually switch to the Ackermann mode through the latches on the LIMO, the APP will automatically recognize the mode and the latches are released.
- Four-wheel differential: manually switch to the Four-wheel differential mode through the latches on the LIMO, the APP will automatically recognize the mode and the latches are inserted.
- Mecanum: switch to the Mecanum mode through APP at the requisite of latches inserted and the Mecanum tiers are installed.


Drive mode switching

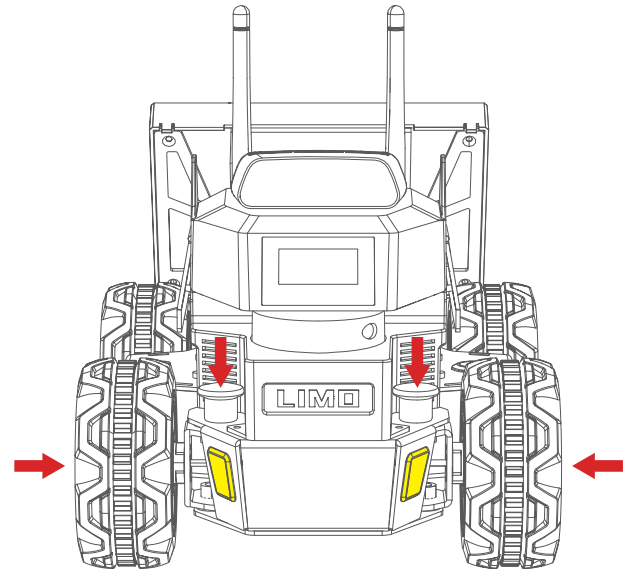
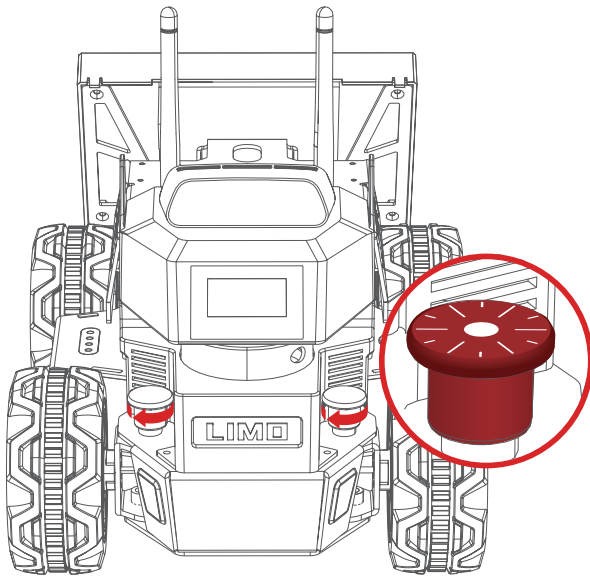
1. Switch to Ackermann mode(green light):

Release the latches on both sides, and turn 30 degrees clockwise to make the longer line on the two latches points to the front of the LIMO . When the LIMO indicator light turns green, the switch is successful;



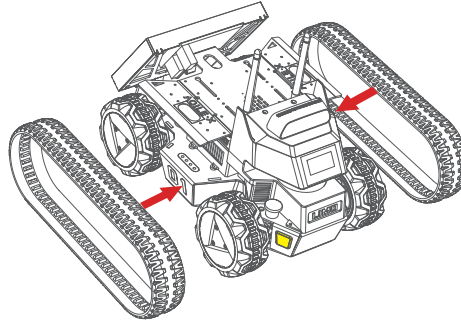
2. Switch to four-wheel differential mode(yellow light):

Release the latches on both sides, and turn 30 degrees clockwise to make the shorter line on the two latches points to the front of the vehicle body . Fine-tune the tire angle to align the hole so that the latch is inserted. When the LIMO indicator light turns yellow, the witch is successful.



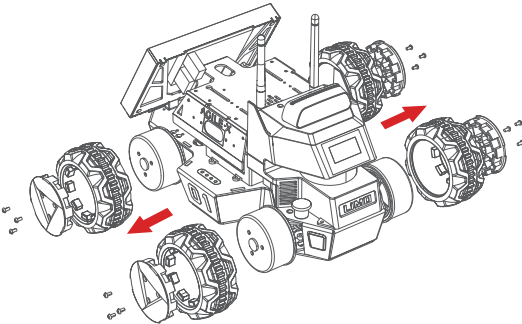
3. Switch to track mode(yellow light):

In the four-wheel differential mode, just put the tracks on to switch to the tracked mode. It is recommended to put the tracks on the smaller rear wheel first. In the tracked mode, please lift the doors on both sides to prevent scratches;

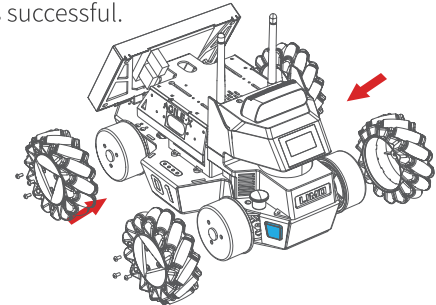


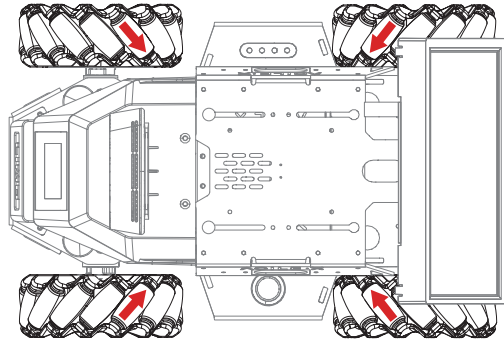
4. Switch to Mecanum mode(blue light):

① When the latches are inserted, first remove the hubcaps and tires, leaving only the hub motors;



② Install the Mecanum wheels with the M3*5 screws in the package. Switch to the Mecanum mode through APP, when the LIMO indicator light turns blue, the switch is successful.

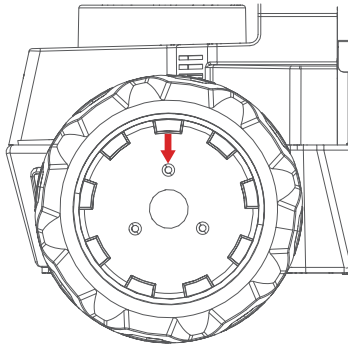




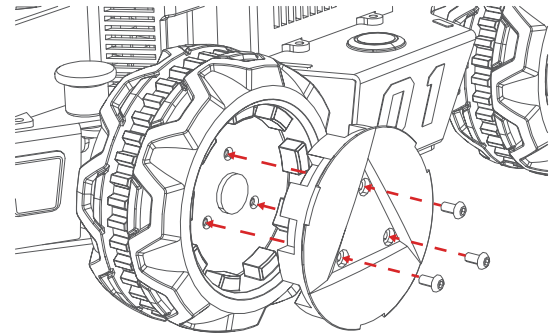
Note: Make sure that each Mecanum wheel is installed at the right angle as shown above.

Rubber tire installation

1. Align the screw holes in the middle of the rubber tire mounting gear, and wear the tire on;



2. Align the holes to install the hubcap, and tighten the **M3*12mm** screws.



LIMO



**Génération
ROBOTS**

Official distributor

gr@generationrobots.com

+33 5 56 39 37 05

www.generationrobots.com

