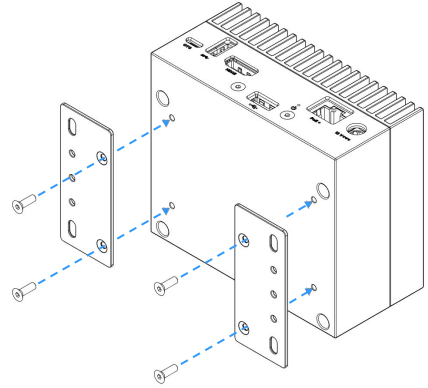
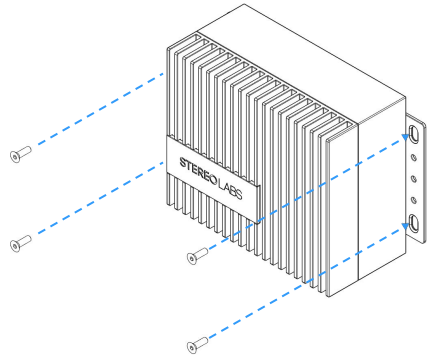


7 Install the ZED Box with brackets



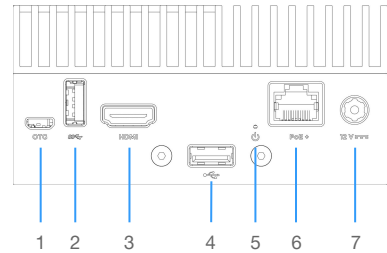
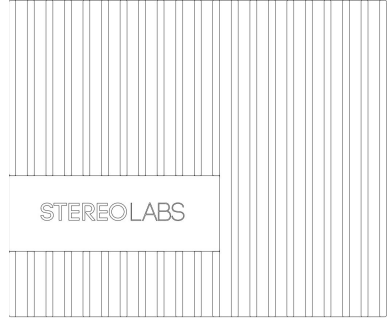
Screw the brackets to the ZED Box



Screw the ZED Box to the wall *

* Screws for the wall are not included

8 Features



1. Micro USB port
2. USB 3.0 port
3. HDMI port
4. USB 2.0 port
5. Power status LED
6. Network PoE+ port
7. +12V AC/DC Power adapter port

Product support and manuals

stereolabs.com/docs

Getting started

stereolabs.com/developers

Help center

stereolabs.com/hc

Contact Stereolabs

support@stereolabs.com

Computer model

ZED Box
NVIDIA® Jetson™ Xavier NX (XNX)
NVIDIA® Jetson™ TX2-NX (TX2NX)

Store

stereolabs.com/store/

© 2021 Stereolabs

2021-10

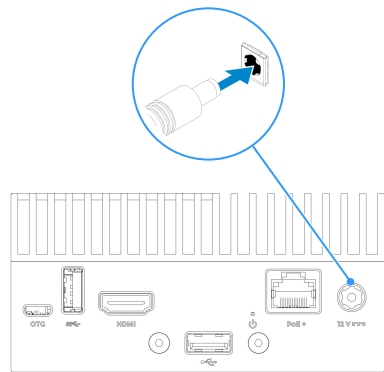
ZED Box

Powered by NVIDIA® Jetson™

Quick Start Guide

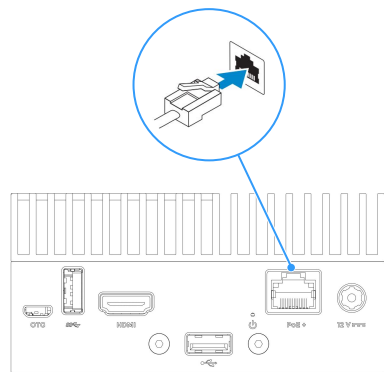


1 Plug in the power supply



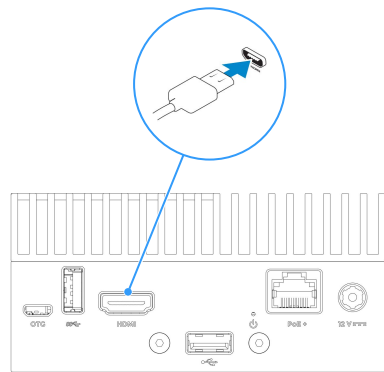
Connect the provided power supply to the jack connector if you do not use PoE+ feature

2 Connect to your network



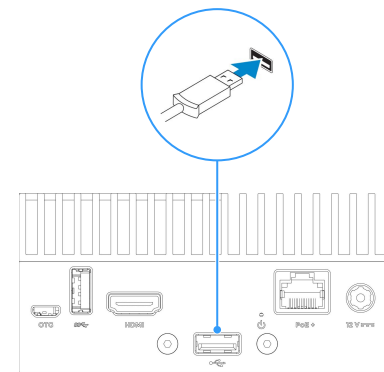
Connect to your network using the PoE+ Ethernet port. PoE+ switch is needed to power the system in this way

3 Connect to your display



Connect to your display using the HDMI port

4 Connect your keyboard and mouse



Connect your keyboard and mouse using the 2.0 USB port and a USB hub

5 Complete the operating system setup

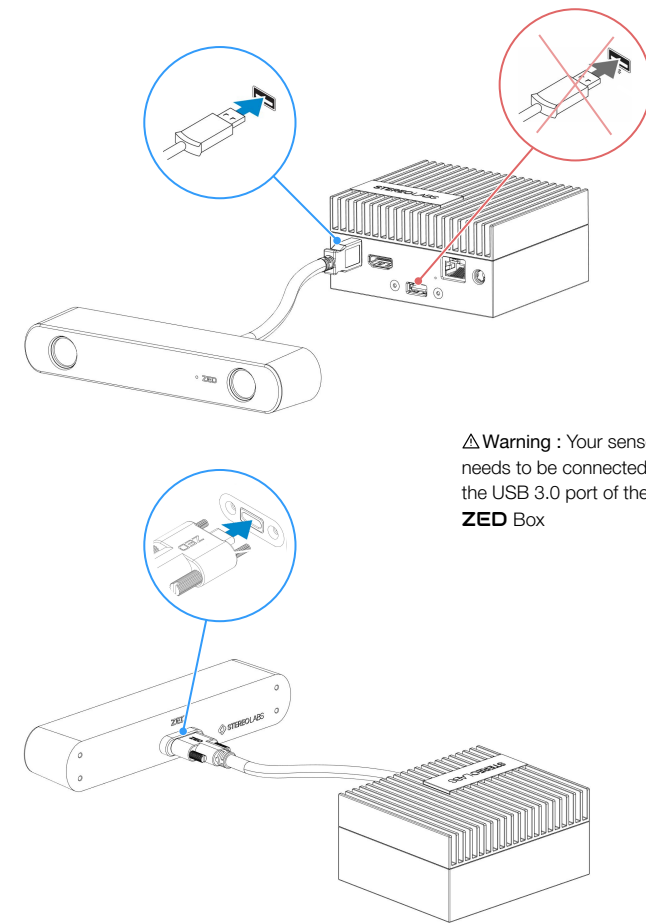
NVIDIA® Jetson™ embeds Linux for Tegra.

To access the operating system, use the following access credentials :

Identifier : `user`

Password : `admin`

6 Connect your sensor



⚠ Warning : Your sensor needs to be connected to the USB 3.0 port of the **ZED** Box